

## APZA LED Post Top Light Fixtures



APZA LED Post Top light fixtures are the most versatile and durable post top lights available. Works with mounting heights from 10' to 100' depending on wattage and optics.

**EXTREME-LIFE:** L70 @ 200,000 hours using open architecture for superior heat dispersion in hot climates

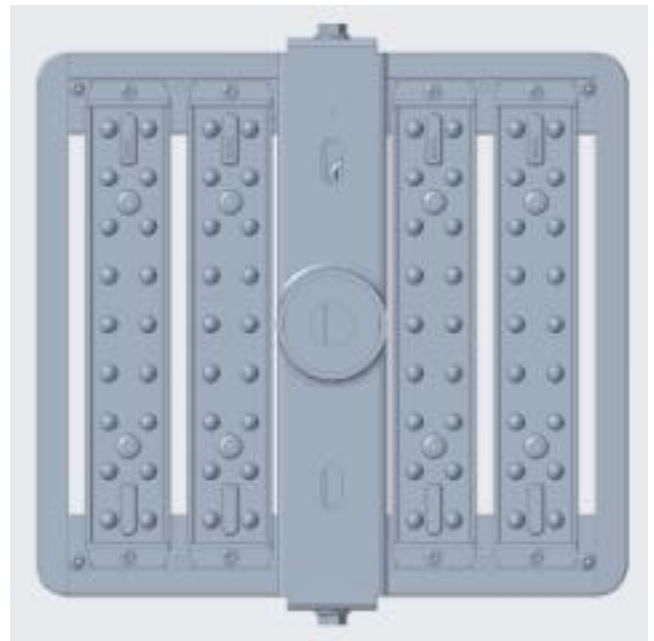
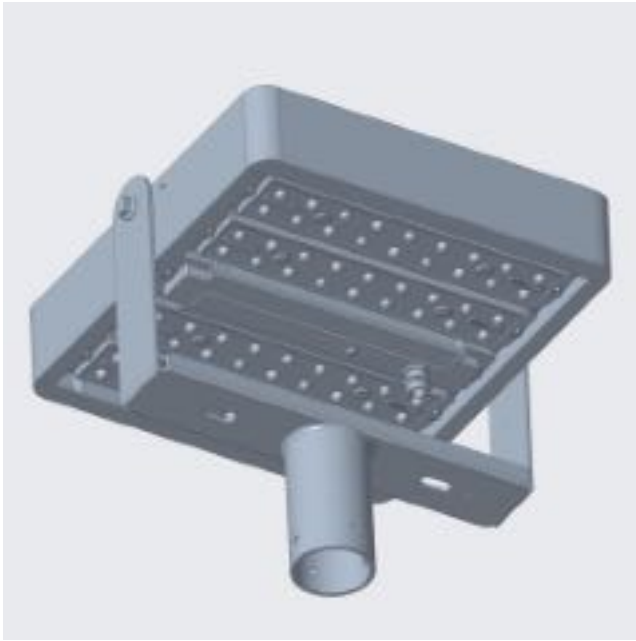
**Dark Sky Compliant:** Full cutoff light fixture and dark sky compliant when equipped with 2200 or 3000K LEDs

**Selections and Options:** Select housing color, Kelvin, and optics. Options include a photocell, programable occupancy/daylight sensor, and custom RAL colors.



## APZA LED Post Top Light Fixtures

---



## Product Introduction

---

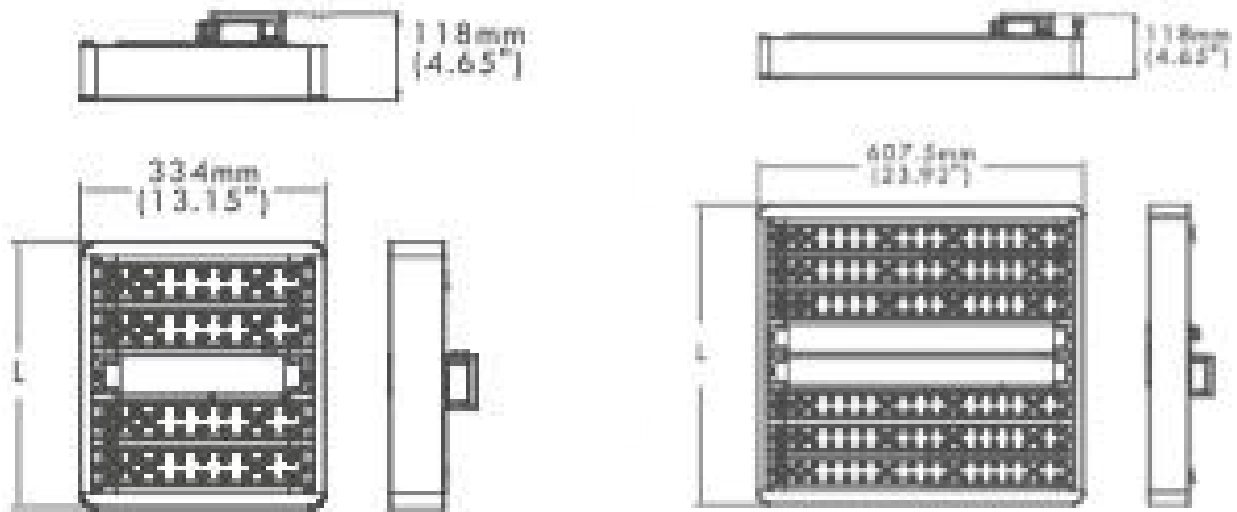
APZA LED post top area lights are designed to provide powerful & reliable post top area lighting for applications from walkways, parks, and boardwalks to parking lots. With a superior patented, high-efficiency spill light control system, high light output, low weight, and low effective projected area (EPA) APZAs are designed to provide a uniform and superior quality anti-glare illumination to large-scale areas.

The modern, yet rugged fixture housing is constructed of high-grade aluminum with exceptional heat sink design that ensures that EPZAs are virtually maintenance free for a lifetime. The durable aluminum frame provides protection to all sides of the fixture. The open architecture enables the light modules to quickly dissipate daytime heat from the sun, so that when the lights come on, the light fixture is already cool. This also extends the life of the LEDs. APZA is EXTREME-LIFE rated L70 @ 200,000 hours.

Options include a photocell, programable occupancy/daylight sensor, emergency backup power, and custom RAL colors. Speak with an Access Fixtures lighting specialist for more information.

[www.AccessFixtures.com](http://www.AccessFixtures.com) 800.468.9925 [Sales@AccessFixtures.com](mailto:Sales@AccessFixtures.com)

## Dimensions



## Performance Summary

Input Voltage	100-277VAC or 277-480VAC, 50/60Hz
Nominal Power	40W~960W
Efficiency	Up to 160 LPW
CRI	Ra>70(Default)/Ra>80/Ra>90
Power Factor	>0.9 at full load
Total Harmonic Distortion	<20% at full load
Surge Protection Device	I <sub>max</sub> 10KA
Optic(IESNA)	Type I, Type V
Operating Temperature	-40°C~+50°C
Accessories & Options	1-10V Dimming, PWM, DALI, DMX, Motion Sensor, Emergency Power Supply, Photocell MINI, Back Light Shield
Color Options	Black, Gray, White, Bronze
L70/L90	>200,000H/>60,000H
Limited Warranty	5 year limited warranty - Optional 10 year limited warranty



Not all products are qualified on the DLC QPL. To view our DLC qualified products, please consult the DLC Qualified Products List at [www.designlights.org](http://www.designlights.org)

## Ordering Information

Example: AF88XBAC80L-S-T5M-30K-BK-DIM

MODEL	INPUT VOLTAGE	MOUNTING	OPTIC	CCT	COLOR	OPTIONS
BAC40	<b>L</b> 100-277VAC	<b>S</b>	<b>T1S</b>	<b>22K</b>	<b>BK</b>	<b>DIM</b>
BAC 80			<b>T3S</b>	2200K		1-10V Dimming
BAC120	<b>H</b> 277-480VAC		<b>T3M</b>	<b>30K</b>	<b>GY</b>	<b>PWM</b>
BAC160		<b>T4S</b>	3000K		10V PWM Control	
BAC200			<b>T4VS</b>	<b>40K</b>	<b>BZ</b>	<b>DALI</b>
BAC240			<b>T4M</b>	4000K		DALI Control
BAC320			<b>T5M</b>	<b>50K</b>		<b>DMX</b>
BAD60			<b>T5W</b>	5000K		DMX Control
BAD120			<b>T10D</b>	<b>57K</b>		<b>MMS</b>
BAD180			<b>T20D</b>	5700K		Motion Sensor
BAD240			<b>T40D</b>			<b>EPS</b>
BAD300			<b>T60D</b>			Emergency Power Supply
BAD360			<b>T90D</b>			<b>PCM</b>
BAD480						Photocell MINI
BBD720						<b>BLS</b>
BBD960						Back Light Shield

With the exception of the DIM, all options require prior confirmation with the engineer.

## Specification Features

**Construction** Extruded aluminum driver enclosure thermally isolated from Light Squares for optimal thermal performance. Heavy-wall, die cast aluminum end caps enclose housing and extruded aluminum heat sinks. A unique, patent pending interlocking housing and heat sink provides scalability with superior structural rigidity. 3G vibration tested and rated. Optional tool-less hardware available for ease of entry into electrical chamber. IP66 water-proof and dust-proof rated.

**Optics** Patented, high-efficiency spill light control technology. With a wide-range of optic lenses and flux options for the luminaire, it can send light exactly in the right direction and illuminate only the area of interest as efficient as possible. This will let you avoid any light waste and shine light only where is needed. With multiple spill light control options, it diminishes the light that shines towards the sky and windows of houses around the field of play to protect night preservation and biodiversity and minimize light nuisance issues.

**Electrical** LED drivers can be mounted to removable tray assembly, which is separated drivers pack, for ease of maintenance. 100-277VAC 50/60Hz, 277-480VAC 50/60Hz Operation. APZA is suitable for operation in -40 °C to 50 °C ambient environment. Available in standard 700mA and 1050mA driver current.

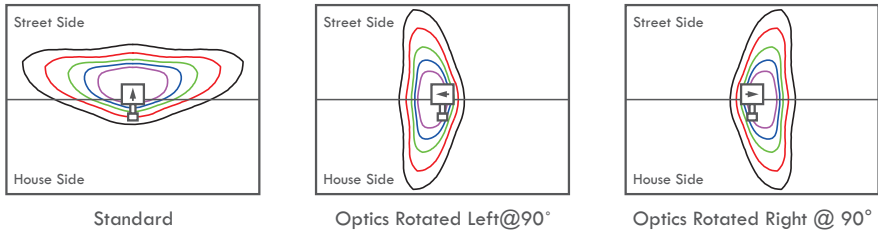
**Mounting** APZA can be mounted on a 2 3/8" or 2 7/8" vertical tenon.

**Finish** Housing finished in super durable powder coat paint, corrosion resistant polyester powder painted 100µm thickness. Meets 1000-hour salt spray certification per ASTM Standard B117. Standard housing colors of Black and Gray. other housing colors can be customized.

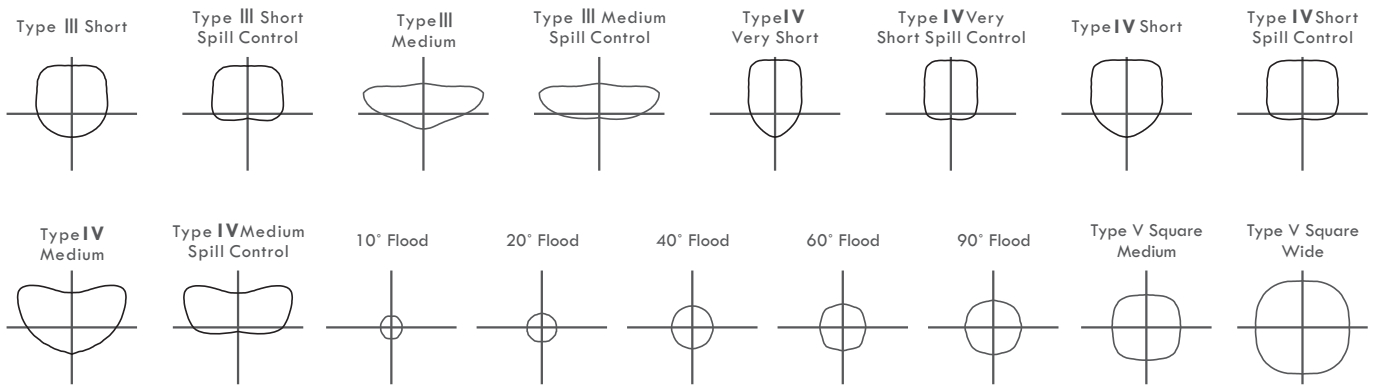
**Certification**

- cULus Listed
- CE-LVD/CE-EMC/CB
- DLC Premium qualified versions available
- IP66 /IK10
- RoHS compliant
- Endurance tested to withstand 1,000 hours of elevated ambient salt fog conditions as defined in ASTM Standard B117
- 10KA surge suppression protection tested in accordance with IEEE/ANSI C62.41.2
- Certified to ANSI C136.31-2010, 3G bridge and overpass vibration standards

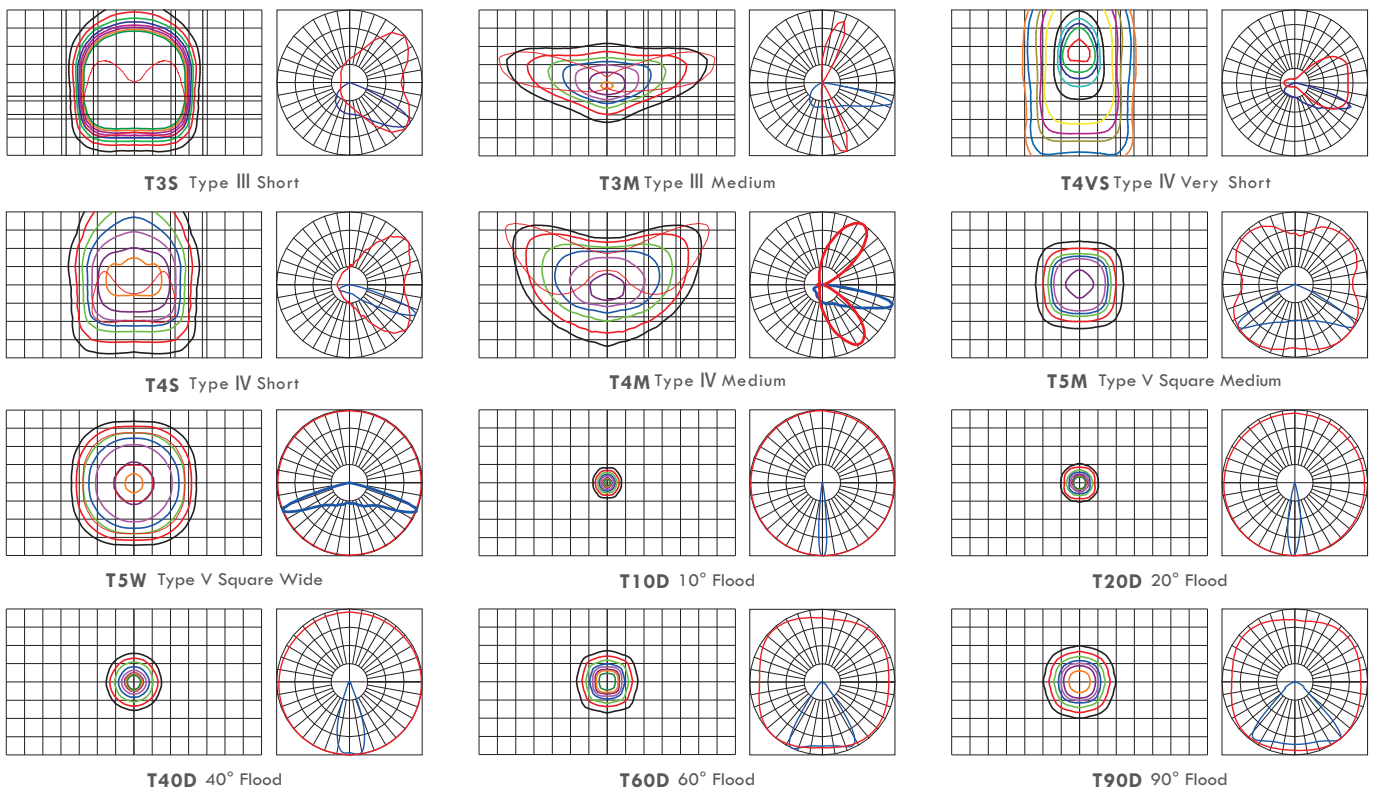
# Optic Orientation



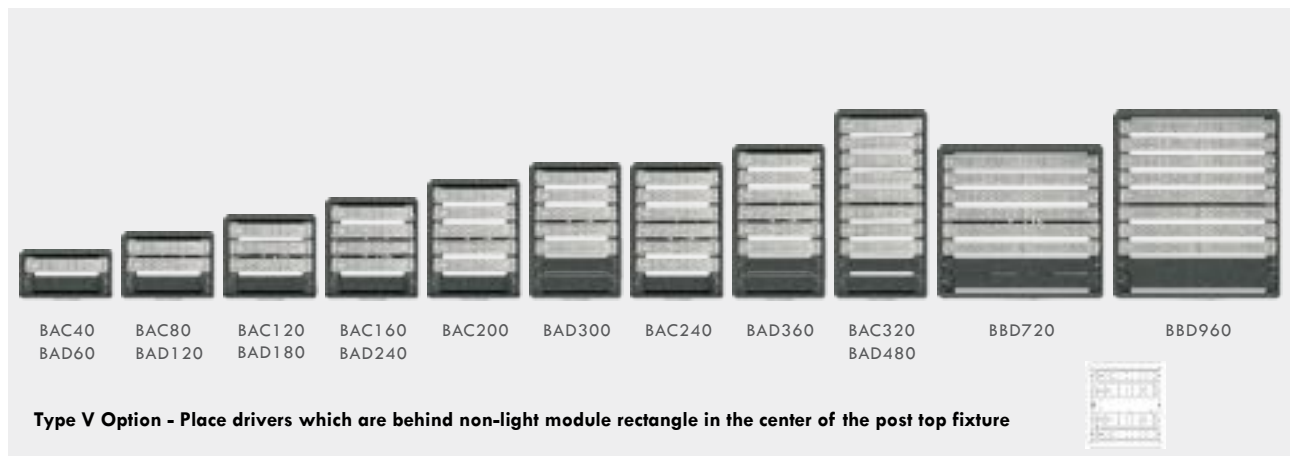
# Optical Distributions



# Photometry



## Product Image



## Brief Specifications

Model	Nominal power	LED current	Module number	Module power	Product size L*W*H (mm/in)	Packing size L*W*H (mm/in)	Net weight	Gross weight	Typical luminous flux(lm)	Typical efficiency (lm/W)
<b>100-277VAC</b>										
BAC40L	40W	700mA	1	40W	175(6.89)*334(13.15)*132(5.20)	410(16.14)*425(16.73)*160(6.30)	4.4KG	5.4KG	6000	150
BAC80L	80W	700mA	2	40W	238(9.37)*334(13.15)*132(5.20)	410(16.14)*425(16.73)*160(6.30)	5.7KG	6.8KG	12160	152
BAC120L	120W	700mA	3	40W	301(11.83)*334(13.15)*132(5.20)	475(18.70)*425(16.73)*160(6.30)	5.8KG	6.9KG	18600	155
BAC160L	160W	700mA	4	40W	363(14.29)*334(13.15)*132(5.20)	535(21.06)*425(16.73)*160(6.30)	7.2KG	8.4KG	24960	156
BAC200L	200W	700mA	5	40W	426(16.75)*334(13.15)*132(5.20)	600(23.62)*425(16.73)*160(6.30)	7.3KG	8.5KG	31000	155
BAC240L	240W	700mA	6	40W	488(19.21)*334(13.15)*132(5.20)	660(25.98)*425(16.73)*160(6.30)	8.8KG	10.1KG	34800	145
BAC320L	320W	700mA	8	40W	675(26.57)*334(13.15)*132(5.20)	845(33.27)*425(16.73)*160(6.30)	10.5KG	12.0KG	49600	155
BAD60L	60W	1050mA	1	60W	176(6.91)*334(13.15)*132(5.20)	410(16.14)*425(16.73)*160(6.30)	4.4KG	5.4KG	8340	139
BAD120L	120W	1050mA	2	60W	238(9.371)*334(13.15)*132(5.20)	410(16.14)*425(16.73)*160(6.30)	5.8KG	6.9KG	16560	138
BAD180L	180W	1050mA	3	60W	301(11.83)*334(13.15)*132(5.20)	475(18.70)*425(16.73)*160(6.30)	6.3KG	7.4KG	25920	144
BAD240L	240W	1050mA	4	60W	363(14.29)*334(13.15)*132(5.20)	535(21.06)*425(16.73)*160(6.30)	7.4KG	8.6KG	34080	142
BAD300L	300W	1050mA	5	60W	488(19.21)*334(13.15)*132(5.20)	600(23.62)*425(16.73)*160(6.30)	7.8KG	9.0KG	42600	142
BAD360L	360W	1050mA	6	60W	550(21.65)*334(13.15)*132(5.20)	725(28.54)*425(16.73)*160(6.30)	9.3KG	10.6KG	50760	141
BAD480L	480W	1050mA	8	60W	675(26.57)*334(13.15)*132(5.20)	845(33.27)*425(16.73)*160(6.30)	10.5KG	12.0KG	67200	140
BBD720L	720W	1050mA	6	120W	561(22.07)*608(23.94)*132(5.20)	730(28.74)*700(27.56)*160(6.30)	18.2KG	20.2KG	100080	139
BBD960L	960W	1050mA	8	120W	686(26.99)*608(23.94)*132(5.20)	855(33.66)*700(27.56)*160(6.30)	22.6KG	24.8KG	133440	139
<b>277-480VAC</b>										
BAC80H	80W	700mA	2	40W	238(9.37)*334(13.15)*132(5.20)	410(16.14)*425(16.73)*160(6.30)	5.7KG	6.8KG	12160	152
BAC120H	120W	700mA	3	40W	301(11.83)*334(13.15)*132(5.20)	475(18.70)*425(16.73)*160(6.30)	5.8KG	6.9KG	18600	155
BAC160H	160W	700mA	4	40W	363(14.29)*334(13.15)*132(5.20)	535(21.06)*425(16.73)*160(6.30)	7.2KG	8.4KG	24960	156
BAC200H	200W	700mA	5	40W	426(16.75)*334(13.15)*132(5.20)	600(23.62)*425(16.73)*160(6.30)	7.3KG	8.5KG	31000	155
BAC240H	240W	700mA	6	40W	488(19.21)*334(13.15)*132(5.20)	660(25.98)*425(16.73)*160(6.30)	8.8KG	10.1KG	34800	145
BAC320H	320W	700mA	8	40W	675(26.57)*334(13.15)*132(5.20)	845(33.27)*425(16.73)*160(6.30)	10.5KG	12.0KG	49600	155
BAD120H	120W	1050mA	2	60W	238(9.371)*334(13.15)*132(5.20)	410(16.14)*425(16.73)*160(6.30)	5.8KG	6.9KG	16560	138
BAD180H	180W	1050mA	3	60W	301(11.83)*334(13.15)*132(5.20)	475(18.70)*425(16.73)*160(6.30)	6.3KG	7.4KG	25920	144
BAD240H	240W	1050mA	4	60W	363(14.29)*334(13.15)*132(5.20)	535(21.06)*425(16.73)*160(6.30)	7.4KG	8.6KG	34080	142
BAD300H	300W	1050mA	5	60W	488(19.21)*334(13.15)*132(5.20)	600(23.62)*425(16.73)*160(6.30)	7.8KG	9.0KG	42600	142
BAD360H	360W	1050mA	6	60W	550(21.65)*334(13.15)*132(5.20)	725(28.54)*425(16.73)*160(6.30)	9.3KG	10.6KG	50760	141
BAD480H	480W	1050mA	8	60W	675(26.57)*334(13.15)*132(5.20)	845(33.27)*425(16.73)*160(6.30)	10.5KG	12.0KG	67200	140
BBD720H	720W	1050mA	6	120W	561(22.07)*608(23.94)*132(5.20)	730(28.74)*700(27.56)*160(6.30)	18.2KG	20.2KG	100080	139
BBD960H	960W	1050mA	8	120W	686(26.99)*608(23.94)*132(5.20)	855(33.66)*700(27.56)*160(6.30)	22.6KG	24.8KG	133440	139

# CERTIFICATION & STANDARDS

Certification	Standards	Remark
CE-LVD Low Voltage Directive (2014/35/EC)	EN 60598-2-3/A1:2011	Applicable for Street Light
	EN 60598-2-5:2015	Applicable for Flood Light
	EN 60598-1:2015/A11:2018	
	EN 62471:2008	
	EN 62493:2015	
CE-EMC Electromagnetic Compatibility Directive (2014/30/EU)	EN 55015:2013/A1:2015	
	EN 61547:2009	
	EN 61000-3-2:2014	
	EN 61000-3-3:2013	
CE-ErP Energy-Related Products Directive (2009/125/EU)	EU 1194/2012:2012-12-12	
	EC 244/2009:2009-03-18	
	EU 859/2009:2009-09-18	
CE-RoHS Directive (2011/65/EU)	EN 62321:2009	
CB	IEC 60598-2-3/A1:2011	Applicable for Street Light
	IEC 60598-2-5:2015	Applicable for Flood Light
	IEC 60598-1:2014	
	IEC 62471:2006	
	IEC 62471-2:2009	
ENEC	EN 60598-2-3/A1:2011	Applicable for Street Light
	EN 60598-2-5:2015	Applicable for Flood Light
	EN 60598-1: 2015/A1: 2018	
	EN 62471:2008	
SAA	EN 62493:2010	
	AS/NZS 60598.2.3:2015	
ATEX ATEX 95 Equipment Directive(94/9/EC)	AS/NZS 60598.1:2017	
	EN 60079-0:12	
	EN 60079-11:12	
UL	EN 60529:1989+A1:1999	
	UL1598	
	UL8750	
	CSA C22.2 No. 250.0-08	
FCC	CSA C22.2 No. 250.13-14	
PSE	Title 47 CFR Part 15	
Photobiological Safety	日本電気用品安全法省令別表第八(Safety)	
	日本電気用品安全法省令別表第十(EMC)	
Vibration test	EN 62471:2008	
	IEC 62471:2006	
Salt spray test	ANSI C136.31-2010	Applicable for Street Light
	IEC/EN 60598-2-5 clause 5.6.7	Applicable for Flood Light
IK08 Impact resistance test	ISO 9227:2012	
	ASTM B117	
IP65 or IP67 test	IEC 62262:2002	
Photometric and Integrating Sphere test	IEC/EN 60598-1:2015 clause 9.2.2 and clause 9.2.6 or clause 9.2.8	
	IES LM-79-2008	
	ANSI C82.77-2002	
	ANSI C78.377-2011	
	CIE 13.3-1995	
	CIE 15-2004	
	IES TM-15-11	
IES LM-63-2002		
LED Module	IEC/EN 62031:2008+A1:2013	
	IES LM-80-2008	
	ANSI C78.377-2011	
	JESD22 A108	
	JESD22 A101C	
	JESD22 A105	
	JESD22 B104	
JESD22 A114		
LED Driver	EN 61347-1:2008	
	EN 61347-2-13:2006	
	EN 62384:2006+A1:2009	
	EN 55015:2006+A1:2007+A2:2009	
	EN 61000-3-2:2006+A1:2009+A2:2009	
	EN 61000-3-3:2008	
	EN 61547:2009	
	IEC 62386 Part 102 and Part 207	Applicable for DALI
	UL1012 UL879 UL935	
FCC Title 47 CFR Part 15 Class A		
Surge Protection Device	ANSI/IEEE C62.41.2-2002	
	UL1449	
Receptacle	ANSI C136.10-2010	
Dimming Receptacle	ANSI C136.41-2013	