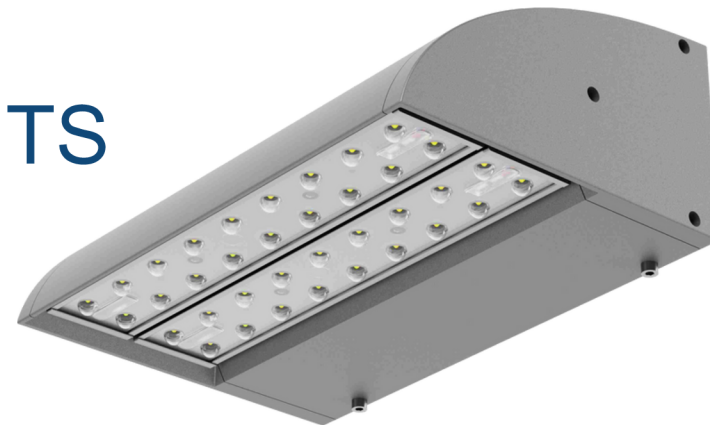
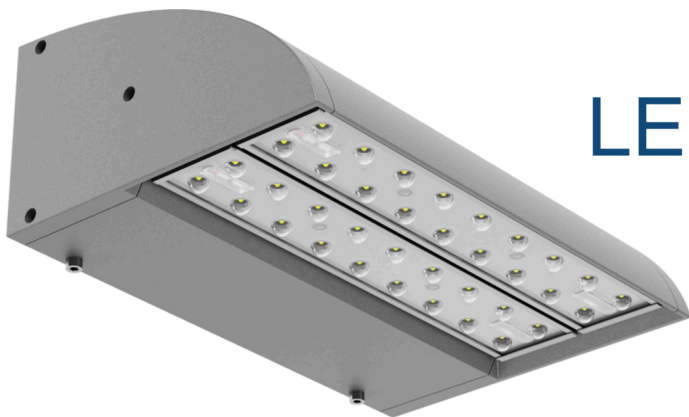


APTO

LED WALL PACK LIGHTS



EXTREME-LIFE:

Extreme-Life-rated APTO LEDs promise an L70 rating of an impressive 200,000 hours. With an IK08 impact rating, adherence to our IP68 standards, and our IP66 protection against heavy seas and powerful water jets, these lights redefine longevity and resilience.

Completely Customizable:

Tailor your preferences by choosing from a variety of housing colors, Kelvin options, optics, CRI, and controls to perfectly align with your specific requirements.

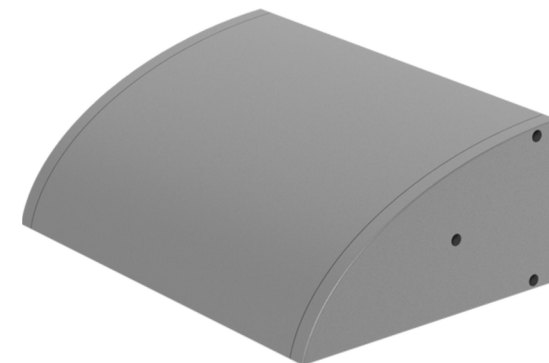
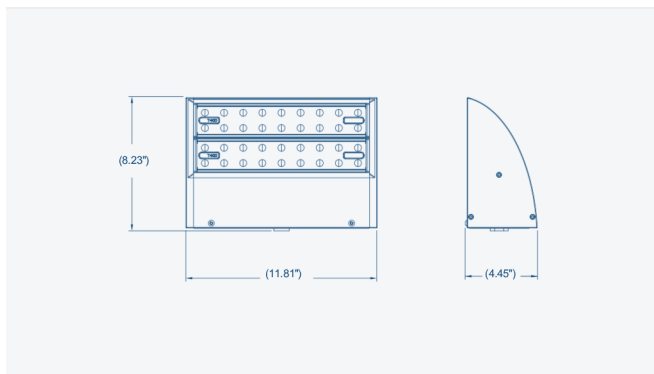
Dark Sky Compliant:

Full cut-off design meets dark sky lighting compliance when equipped with 2200 or 3000K LEDs.

PRODUCT DESCRIPTION

APTO EXTREME-LIFE Full Cutoff LED Wall Pack is designed to comply with a diverse range of lighting regulations, fortified against vandalism, and engineered for virtually maintenance-free use.

DIMENSIONS



SPECIFICATION FEATURES

- Construction** Die cast aluminum housing. Modular design allows for easy installation, replacement and maintenance.
- Optics** Excellent Optics design, greatly improve the light utilization and evenness. Patented, high-efficiency spill light control technology. With a wide-range of optic lenses and flux options for the fixture, it can send light exactly in the right direction and illuminate only the area of interest as efficient as possible. This will let you avoid any light waste and shine light only where is needed.
- Electrical** 120-277VAC 50/60Hz Operation.The Model W is suitable for operation in -40°C to 50°C ambient environment. Available in standard 700mA, 900mA and 1050mA driver current.
- Mounting** Wall pack Mounting
- Finish** Housing finished in super durable powder coat paint, corrosion resistant polyester powder painted 100µm thickness. Meets 1,000H salt spray certification per ASTM Standard B117. Standard housing color of Gray and Black. Customized colors are available.
- Certification**
- . cULus Listed
 - . CE-LVD/CE-EMC/CB
 - . DLC Premium qualified versions available
 - . IP65 /IK10
 - . RoHS compliant
 - . Endurance tested to withstand 1,000H of elevated ambient salt fog conditions as defined in ASTM Standard B117

PERFORMANCE SUMMARY

Input Voltage	100-277VAC,
Nominal Power	50/60Hz
Efficiency	10W~100W Up to 160 LPW
CRI	Ra>70
Power Factor	>0.9 at full load
Total Harmonic	<20% at full load
Distortion Optic(IESNA)	Type II, Type III, Type IV, Type V
Operating Temperature	-40°C~+50°C
Accessories & Options	1-10V Dimming, Motion Sensor, Photocell MINI, Surge Protection, Vandal Screws
Color Options	Gray, Black
L70B10/ L90B10	>200,000H
Warranty	5 years warranty



Not all products are qualified on the DLC QPL. To view our DLC qualified products, please consult the DLC Qualified Products List at www.designlights.org

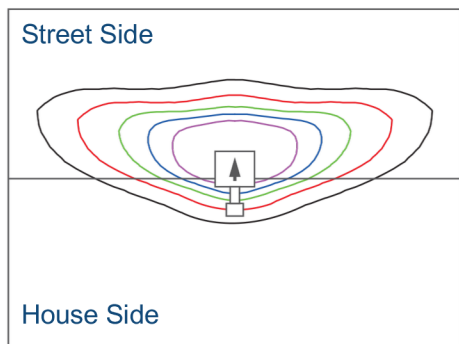
ORDERING INFORMATION

Example: AF88XWFC40L-T3M-30K-BK-DIM1

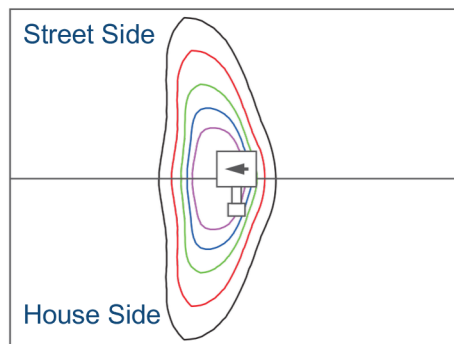
MODEL	INPUT VOLTAGE	OPTIC	CCT	COLOR	OPTIONS
AF88XWFC10	L 100- 277VAC	T2S	22K	GY	Surge Protection DIM 1-10V Dimming Vandal Screws MMS Motion Sensor PCM Photocell MINI
AF88XWFC20		T3S	2200K	Gray-RAL7004	
AF88XWFC30		T3M	3K	BK	
AF88XWFC40		T4S	3000K	Black-RAL9011	
AF88XWFD60		T4M	4K		
AF88XWFC80		T5M	4000K		
AF88XWFD100		T90D	5000K		
			5K		
			5700K		

**With the exception of the DIM, all options require prior confirmation with the engineer.

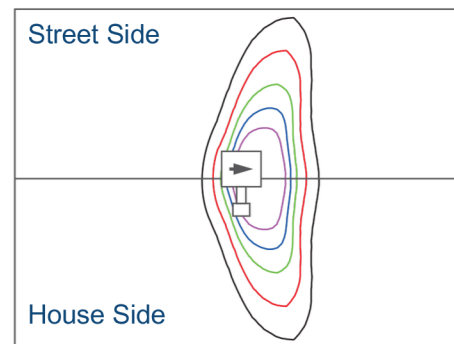
OPTIC ORIENTATION



Standard

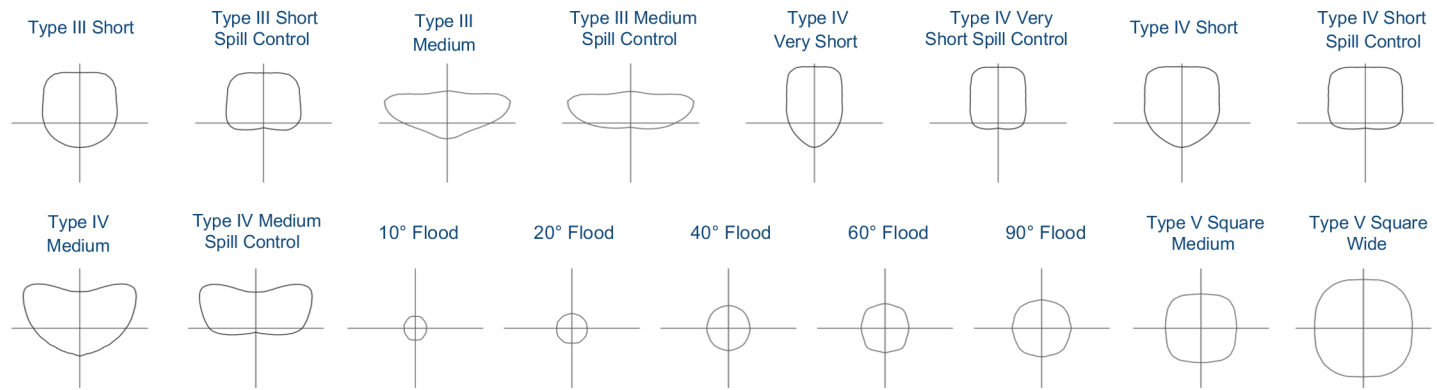


Optics Rotated Left@90°

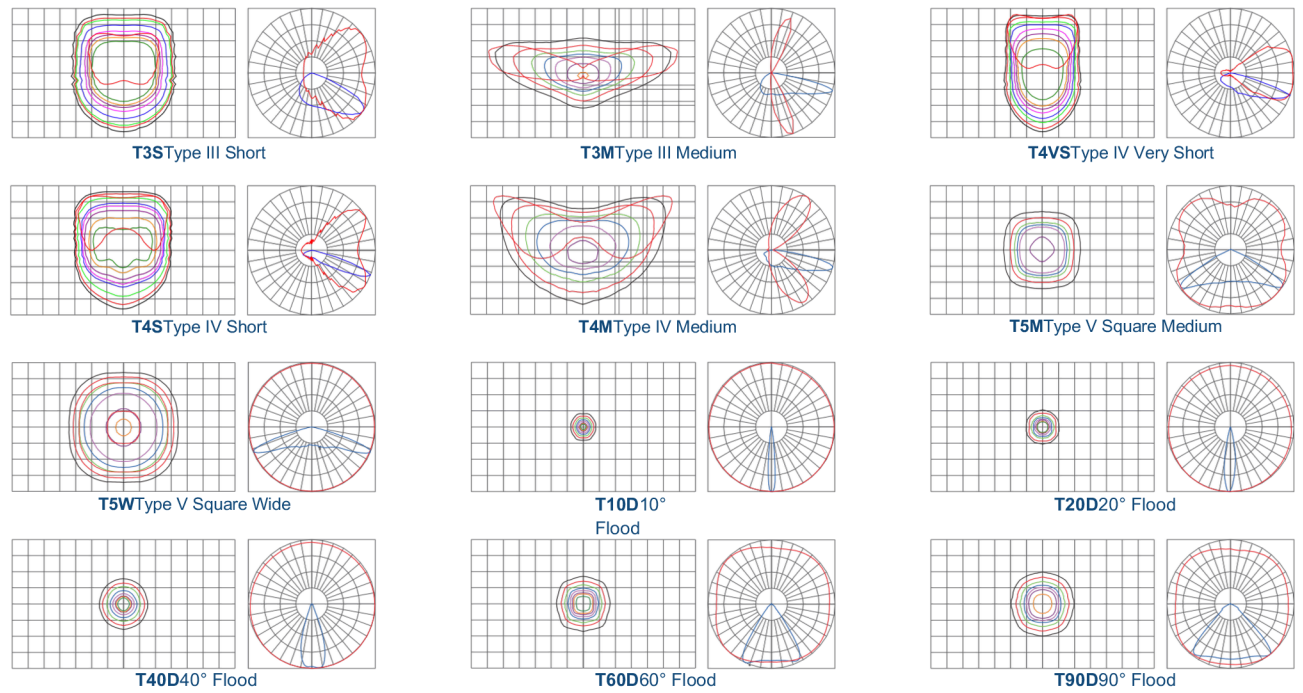


Optics Rotated Right @ 90°

OPTICAL DISTRIBUTIONS



PHOTOMETRY



BRIEF SPECIFICATIONS

Model	Nominal power	LED Current	Module number	Module Power	Product size L*W*H (mm/in)	Packing size L*W*H (mm/in)	Net weight	Gross weight	Typical luminous flux(lm)	Typical efficiency (lm/W)
100-277VAC										
AFWFC10L	10W	700mA	1	10W	(11.81")*(8.23")*(4.45")	(15.94")*(10.83")*(7.09")	6.39lbs	7.72lbs	1700	141
AFWFC20L	20W	700mA	1	20W	(11.81")*(8.23")*(4.45")	(15.94")*(10.83")*(7.09")	6.39lbs	7.72lbs	3100	151
AFWFC30L	30W	700mA	1	30W	(11.81")*(8.23")*(4.45")	(15.94")*(10.83")*(7.09")	6.39lbs	7.72lbs	4500	145
AFWFC40L	40W	700mA	1	40W	(11.81")*(8.23")*(4.45")	(15.94")*(10.83")*(7.09")	6.39lbs	7.72lbs	6000	150
AFWFD60L	60W	1050mA	1	60W	(11.81")*(8.23")*(4.45")	(15.94")*(10.83")*(7.09")	6.39lbs	8.38lbs	8340	139
AFWFC80L	80W	700mA	2	40W	(11.81")*(8.23")*(4.45")	(15.94")*(10.83")*(7.09")	6.38lbs	8.16lbs	12160	152
AFWFD100L	100W	900mA	2	50W	(11.81")*(8.23")*(4.45")	(15.94")*(10.83")*(7.09")	7.05lbs	8.38lbs	14300	143



CERTIFICATION & STANDARDS

Certification	Standards	Remark
CE-LVD Low Voltage Directive (2014/35/EC)	EN 60598-2-3/A1:2011 EN 60598-2-5:2015 EN 60598-1:2015/A11:2018 EN 62471:2008 EN 62493:2015	Applicable for Street Light Applicable for Flood Light
CE-EMC Electromagnetic Compatibility Directive (2014/30/EU)	EN 55015:2013/A1:2015 EN 61547:2009 EN 61000-3-2:2014 EN 61000-3-3:2013	
CE-ErP Energy-Related Products Directive (2009/125/EU)	EU 1194/2012:2012-12-12 EC 244/2009:2009-03-18 EU 859/2009:2009-09-18	
CE-RoHS Directive (2011/65/EU)	EN 62321:2009	
CB	IEC 60598-2-3/A1:2011 IEC 60598-2-5:2015 IEC 60598-1:2014 IEC 62471:2006 IEC 62471-2:2009	Applicable for Street Light Applicable for Flood Light
ENEC	EN 60598-2-3/A1:2011 EN 60598-2-5:2015 EN 60598-1:2015/A1:2018 EN 62471:2008 EN 62493:2010	Applicable for Street Light Applicable for Flood Light
SAA	AS/NZS 60598.2.3:2015 AS/NZS 60598.1:2017	
ATEX ATEX 95 Equipment Directive(94/9/EC)	EN 60079-0:12 EN 60079-11:12 EN 60529:1989+A1:1999 UL1598	
UL	UL8750 CSA C22.2 No. 250.0-08 CSA C22.2 No. 250.13-14 Title 47 CFR Part 15	
FCC	日本電気用品安全法省令別表第八(Safety)	
PSE	日本電気用品安全法省令別表第十(EMC) EN 62471:2008	
Photobiological Safety	IEC 62471:2006 ANSI C136.31-2010	
Vibration test	IEC/EN 60598-2-5 clause 5.6.7 ISO 9227:2012 ASTM B117	Applicable for Street Light Applicable for Flood Light
Salt spray test	IEC 62262:2002	
IK08 Impact resistance test IP65 or IP67 test	IEC/EN 60598-1:2015 clause 9.2.2 and clause 9.2.6 or clause 9.2.8 IES LM-79-2008 ANSI C82.77-2002 ANSI C78.377-2011 CIE 13.3-1995 CIE 15-2004 IES TM-15-11 IES LM-63-2002	
Photometric and Integrating Sphere test	IEC/EN 62031:2008+A1:2013 IES LM-80-2008	
LED Module	ANSI C78.377-2011 JESD22 A108 JESD22 A101C JESD22 A105 JESD22 B104 JESD22 A114	
LED Lamps	EN 61347-1:2008 EN 61347-2-13:2006 EN 62384:2006+A1:2009 EN 55015:2006+A1:2007+A2:2009 EN 61000-3-2:2006+A1:2009+A2:2009 EN 61000-3-3:2008	
LED Driver	EN 61547:2009 IEC 62386 Part 102 and Part 207 UL1012 UL879 UL935 FCC Title 47 CFR Part 15 Class A ANSI/IEEE C62.41.2-2002 UL1449	Applicable for DALI
Surge Protection Device	ANSI C136.10-2010 ANSI C136.41-2013	
Receptacle		
Dimming Receptacle		

