



# HEZA

## LED WALL PACK LIGHT



### Dark-Sky Friendly:

The full cutoff design of this wall pack helps to meet local lighting ordinances by minimizing light trespass – also making it neighbor and dark-sky friendly.

### Turtle and Wildlife Friendly:

The energy-efficient monochromatic amber LEDs are turtle and wildlife friendly. Using 590nm follows most coastal light regulations.

### Durable and Watertight:

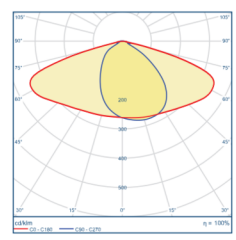
This die-cast aluminum fixture is IP65-rated against water intrusion, dust, and bugs.

## PRODUCT DESCRIPTION

HEZA 590nm Amber LED Full Cutoff Wall Pack is a perfect commercial lighting solution for those who need a durable wall pack with 590nm Amber LEDs.

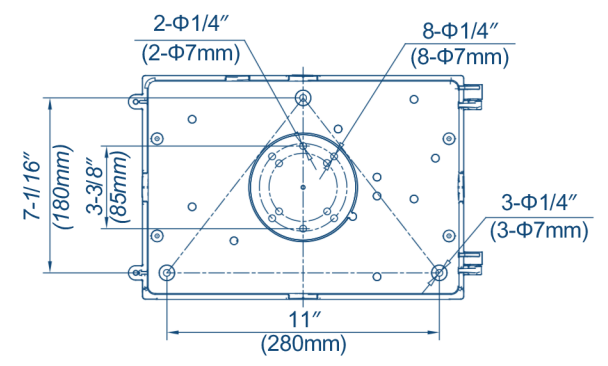
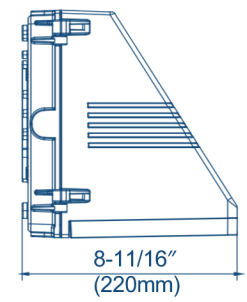
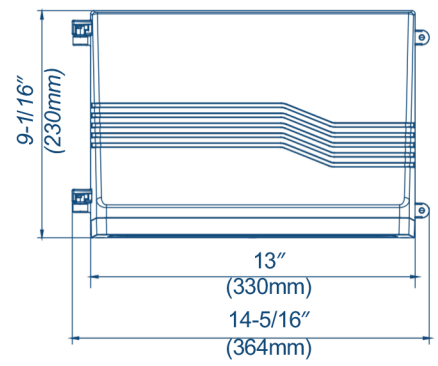
## OPTICS

### CD/1000lm



TYPE II

## DIMENSIONS



## PRODUCT DESCRIPTION

Die-casting aluminum housing, with corrosion resistant polyester power coat finish.  
Heat proof and aging resistant silicon gasket ensure high performance of protection.

## FEATURES

- Replace up to 240W pulse start Metal Halide lamp.
- CCT : 590nm Amber
- CRI:Ra>70
- Universal 120-240/277V, 50/60Hz driver
- Lens angles: Type II
- Without any hazardous material in fixture.
- L70 rating available
- 5 years warranty.

## SPECIFICATIONS

MODEL SELECTION						Typical order example: AF53XYGWL166A/60W/C50/T2//LB					
TYPE	WATTAGE (NOMINAL)	CCT	DISTRIBUTION	FINISH	VOLTAGE						
AF53XYGWL166	LED = HID 40W = 80 MH 60W = 120 MH	590nmAmber	T2=Type II	BZ=Bronze	(OMIT)= 120-240/277V						
-----	-----										

## SPECIFICATIONS:

ITEM	SPECIFICATION	AF53XYGWL166 40W				AF53XYGWL166 60W			
		DETAILS							
GENERAL PERFORMANCE	Distribution	TYPE II							
	Input Power (W)	40		60					
	Lumens Delivered (lm) at 5000k	3600		5400					
	Efficacy (lm/W)	90							
	CRI	RA70							
	Lumen Maintenance (L70,TM-21 @ 25°C)	L90>36,000 hours				L70≥50,000 hours			
	Color Temperature	Amber							
	Spacing Criteria	Available Upon Request							
Color Consistency	Proprietary binning for uniform color								
ELECTRICAL	InputVoltage	120-240/277V							
	Power Factor	≥0.95							
PHYSICAL	Weight	9.48lbs				11.02lbs			
	Housing	Die-casting aluminum							
	lens/reflector	Glass							
	Mounting	Wall mounting							
	Operating Temperature	-4°F to 113°F							
	Humidity	20-85% RH, non-condensing							
CERTIFICATION	Certification	cETLus, LM79,L M80							
	Intended Use	Corridor, courtyard, shopping mall, garden and park etc.							
	Warranty	5 Years							



# IP65