



HEZE

LED WALL PACK LIGHT



EXTREME-LIFE:

This fixture is L70 rated for 213,000 hours, ensuring years of maintenance-free use.

FWC Certified:

The 590 nanometer LED light and included shield make this fixture FWC Certified and turtle friendly.

Durable Housing: Die-cast hinged and gasketed aluminum front frame and housing with 1/2" coin plugs. Nickel-plated stainless steel hardware. Photocell adaptable.

PRODUCT DESCRIPTION

The HEZE 590nm Amber LED Florida Wildlife Commission (FWC) Certified Full Cutoff and Shielded Wall Pack, for turtle and wildlife-friendly applications. HEZE comes standard with a full cutoff design, type V optics, durable die-cast, and gasketed aluminum housing, and is EXTREME-LIFE rated @ 213,000 hours. HEZE is not only attractive in appearance, but in performance too.

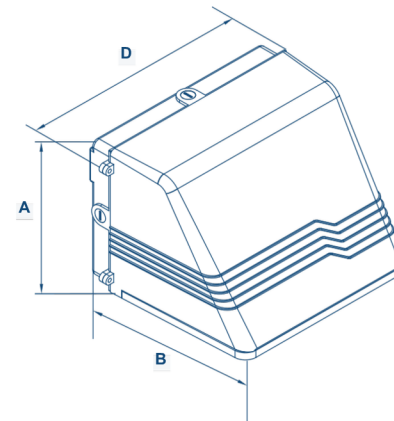
Project Information:	
Project Name:	Fixture Type:
Complete Catalog #:	Date:
Comments:	:

Certification & Listings:



DesignLights Consortium™
Qualified Luminaires:
WPC15QC1X37U5KC**
WPC15QF1X37U5KC**





Dimensions	
Width (D)	14 1/4" (362mm)
Length (B)	11 3/8" (289mm)
Height (A)	9 1/8" (232mm)



SPECIFICATIONS AND FEATURES

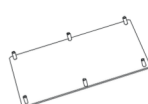
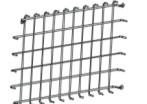
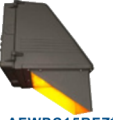

- Housing:**
Die Cast Hinged and Gasketed Aluminum Front Frame and Housing with ½" Coin Plugs. Nickel-Plated Stainless Steel Hardware. Photocell Adaptable.
- Listing & Ratings:**
ETL: Listed for Wet Locations, ANSI/UL 1598, 8750; IP65 Sealed LED Compartment.
- Finish:**
Textured Architectural Bronze Powdercoat Finish Over a Chromate Conversion Coating. Custom Colors Available Upon Request.
- Lens:**
Tempered Clear Flat Glass Lens or Tempered Clear Flat Prismatic Glass Lens.
- Mounting Options:**
Cast-in Template for Mounting Directly Over a 4" Recessed Outlet Box, or Use ½" Surface Conduit.
Mounting heights of 12 to 18 feet can be used based on light level and uniformity requirements.
- EasyLED LED:**
Aluminum Boards
- Wattage:**
25w Array: 24.78w, System: 27.1w 37w Array: 37.2w, System: 40.6 50w Array: 50w, System: 54.2w
- Driver:**
Electronic Driver, 120-277V, 50/60Hz or 347-480V, 50/60Hz; Less Than 20% THD and PF>0.90. Standard Internal Surge Protection 6kV. 0-10V Dimming Standard for a Dimming Range of 100% to 10%; Dimming Source Current is 150 Microamps.
- Controls:**
Fixtures Ordered with Factory-Installed Photocell or Motion Sensor Controls are Internally Wired for Switching and/or 1-10V Dimming Within the Housing. Remote Direct Wired Interface of 1-10V Dimming is Not Implied and May Not Be Available, Please Consult Factory. Fixtures are Tested with specific Controls and May Not Function Properly With Controls Supplied By Others. Fixtures are NOT Designed for Use with Line Voltage Dimmers.
- Warranty:**
5-Year Warranty for -40°C to +40°C Environment. See Page 3 for Projected Lumen Maintenance Table.

Order Information Example:

AF33XWPC15QC1X37U5KCZSP

Model	Optics	Wattage	Driver	CCT	Lens	Color	Options
AF33XWPC15Q= AmberLED Constellation Medium Full Cutoff Wall Pack	F =Type V	1X25 =25w 1X37 =37w 1X50 =50w	U =120-277V H =347-480V	590nm	C=Clear Flat Glass Lens P=Clear Flat Prismatic Glass Lens* *F Optic Only.	Z=Bronze C=Custom (Consult Factory)	SF =Single Fuse* DF =Double Fuse* SP =Surge Protection PC3 =Photocell, 120-277VAC S2 =Microwave Sensor with Dimming for Mounting Heights of 8' to 40'.* S4 =Microwave On/Off Motion Sensor for Mounting Heights of 8' to 19'.* BU =Battery Backup, 90 Minutes* BUC =Cold Start Battery Backup, -20°C, 90 Minutes* *120-277V Models Only.

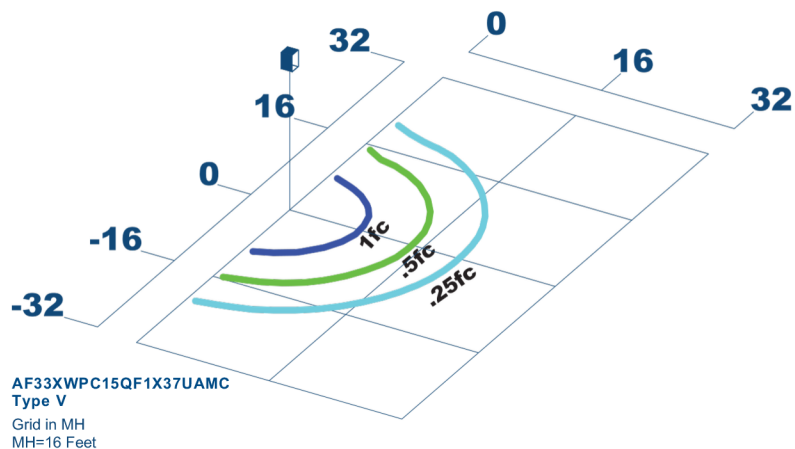
Accessories & Replacement Parts:

Accessories (Order Separately, Field Installed)	Replacement Parts (Order Separately, Field Installed)
AFWPC15LG Clear UV-Stabilized Polycarbonate Vandal Resistant Guard, Includes Hardware.	AFWPC15GLC Tempered Clear Flat Glass Lens.
AFWPC15WG Wire Guard, Stainless Steel Construction, Includes Hardware.	AFWPC15GLP Tempered Prismatic Flat Glass Lens.
AFSSBS Stainless Steel Bird Spikes	AFP18103 120-277VAC Photocell
  	
For Replacement Battery Backup, Contact one of our Lighting Specialist.	
 <p>AFP18103</p>	



PHOTOMETRIC

Photometric Data



Photometric Performance

LED Board Watts	Drive Current (mA)	Input Watts	Optics	Amber LEDs				
				Lumens	LPW	B	U	G
37w	525	40	Type V	1,279	32	1	1	0

Projected Lumen Maintenance

Data shown for 5000 CCT		Compare to MH				
TM-21-11	Input Watts	Initial	25,000 Hrs	50,000 Hrs	100,000 Hrs	Calculated LED Life
L70 Lumen Maintenance @ 25°C / 77°F	All wattages up to and including 54w	1.00	0.96	0.93	0.86	213,000
L70 Lumen Maintenance @ 50°C / 122°F		1.00	0.93	0.87	0.73	113,000
L80 Lumen Maintenance @ 40°C / 104°F		1.00	0.95	0.89	0.78	91,000

NOTES:
1. Projected per IESNA TM-21-11. Data references the extrapolated performance projections for the base model in a 25°C ambient, based on 10,000 hours of LED testing per IESNA LM-80-08. 2. Compare to MH box indicates suggested Light Loss Factor (LLF) to be used when comparing to Metal Halide (MH) systems.



Spectral Chart

