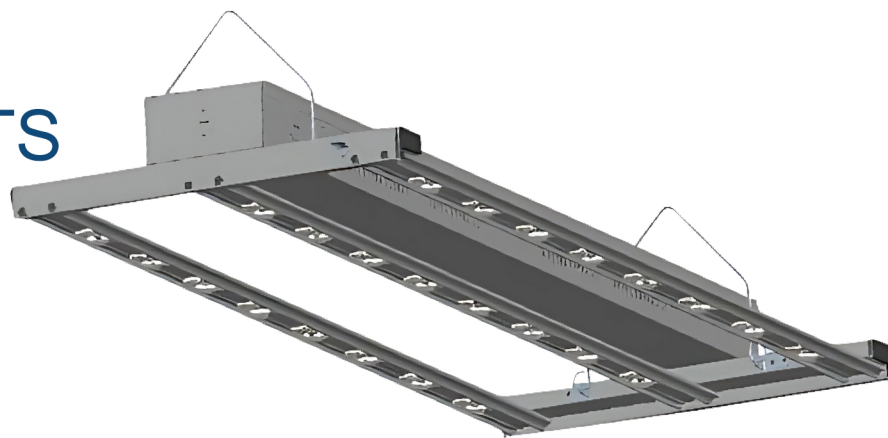
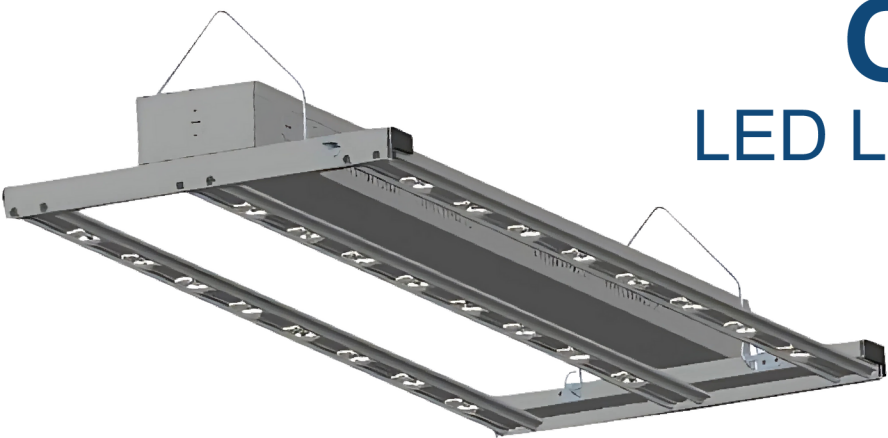


# OTAM

## LED LINEAR LIGHTS



**Durable Lens Design:**  
Engineered with high-efficiency LEDs protected by polycarbonate lenses and encapsulated in high-temperature silicone epoxy for enhanced durability.

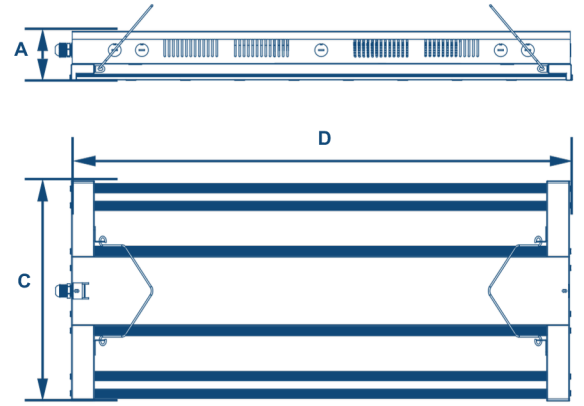
**High CRI Performance:**  
With a CRI of 80+, the OTAM ensures superior visibility and accurate color rendering for demanding industrial environments.

**Cost-Effective Efficiency:**  
Delivering an impressive 143 lumens per dollar, the OTAM sets a new standard for cost-effective lighting.

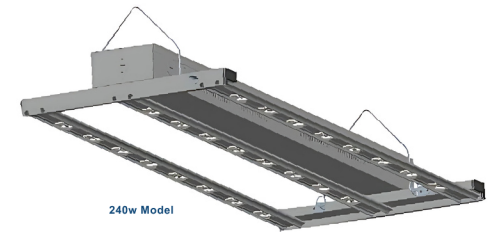
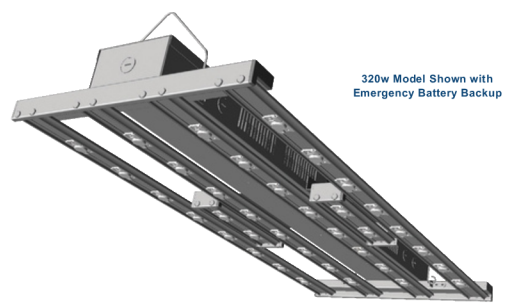


### PRODUCT DESCRIPTION

The OTAM Linear LED High Bay is a low-profile, high-performance lighting solution designed to replace HID systems ranging from 250W to 1000W. It features a wide optical distribution and optional motion sensors or emergency battery backup for added functionality. Ideal for commercial indoor applications such as arenas, warehouses, schools, and more, it supports mounting heights from 10 to 45 feet, depending on lighting and uniformity requirements.



| Dimensions |              |
|------------|--------------|
| Height (A) | 3½" (413mm)  |
| Length (D) | 36¼" (922mm) |
| Widths (C) |              |
| 120w       | 12¼" (313mm) |
| 240w       | 16" (408mm)  |
| 320w       | 16" (408mm)  |



## SPECIFICATIONS

### Housing:

Extruded Aluminum Rails for LEDs. The LEDs have UV-Stabilized Polycarbonate Lenses and are Potted with High Temperature Silicone Epoxy. Stamped Steel Driver Housing.

### Listing & Ratings:

ETL: Listed for Dry Locations, ANSI/UL 1598, 8750; IP54

### Finish:

Platinum Powdercoat Finish Over a Chromate Conversion Coating.

### Mounting Options:

Mount with Included V-Hangers. Includes a 3' 3-Wire Cord with Leads.

### COB LED:

QSSI Cool Copper COB

### Wattage:

120w COB: 120w; System: 117w; (250w HID Equivalent) 240w COB: 200w; System: 234w; (400w HID Equivalent) 320w COB: 320w; System: 312w; (400-1000w HID Equivalent)

### Driver:

Electronic Driver, 120-277V, 50/60Hz; Less Than 20% THD and PF>0.90. Standard Internal Surge Protection 6kV. 0-10V Dimming Standard for a Dimming Range of 100% to 10%; Dimming Source Current is 150 Microamps.

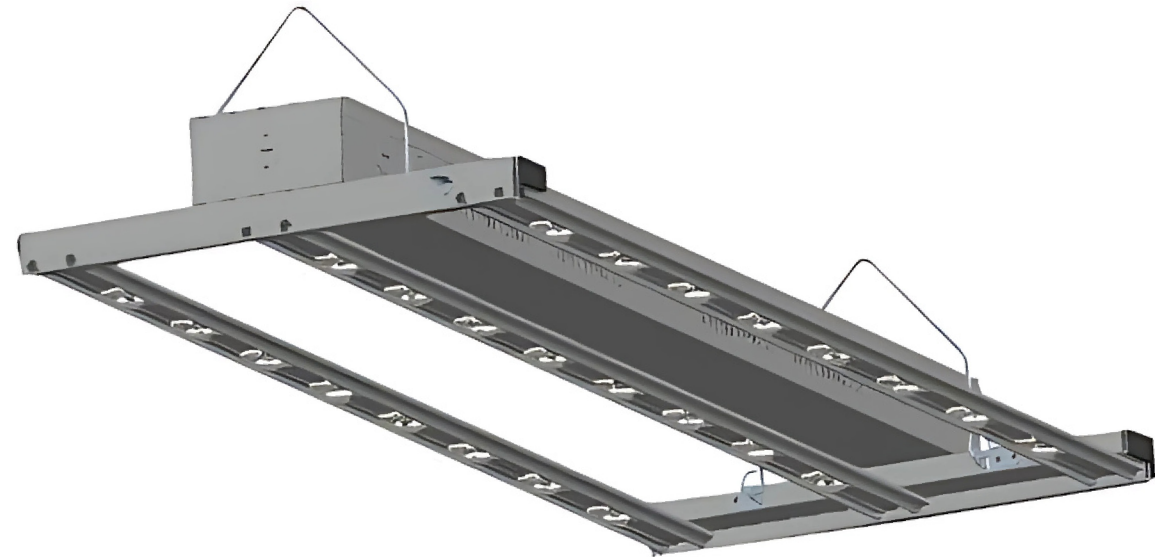
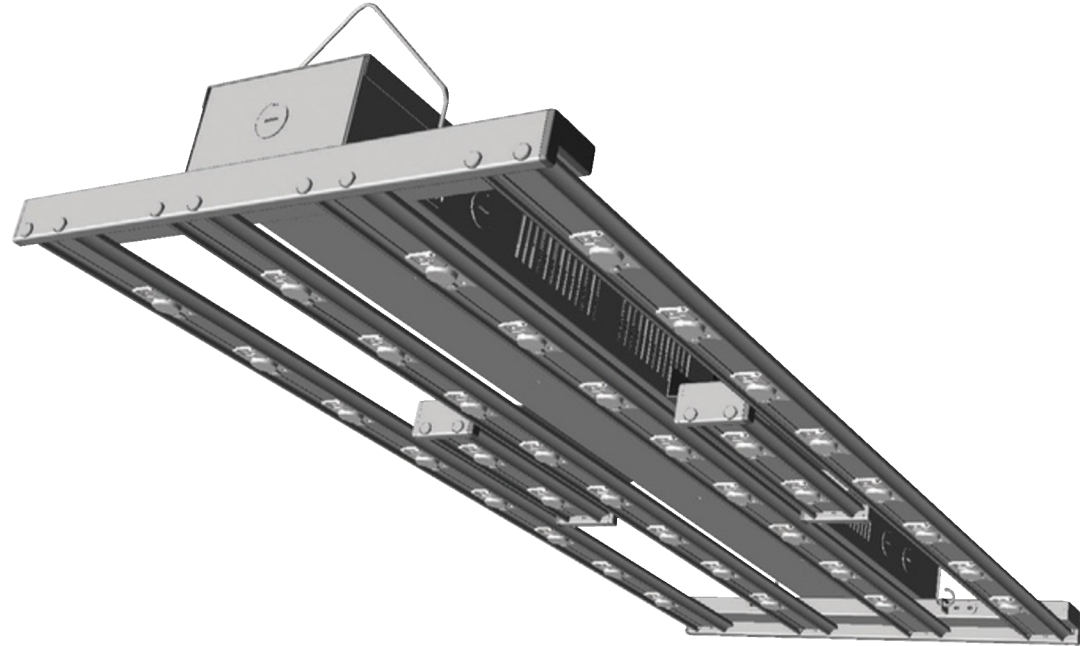
### Controls:

Fixtures Ordered with Factory-Installed Photocell or Motion Sensor Controls are Internally Wired for Switching and/or 1-10V Dimming Within the Housing. Remote Direct Wired Interface of 1-10V Dimming is Not Implied and May Not Be Available, Please Consult Factory. Fixtures are Tested with QSSI Controls and May Not Function Properly With Controls Supplied By Others. Fixtures are NOT Designed for Use with Line Voltage Dimmers.

### Warranty:

5-Year Warranty for -40°C to +50°C Environment. See

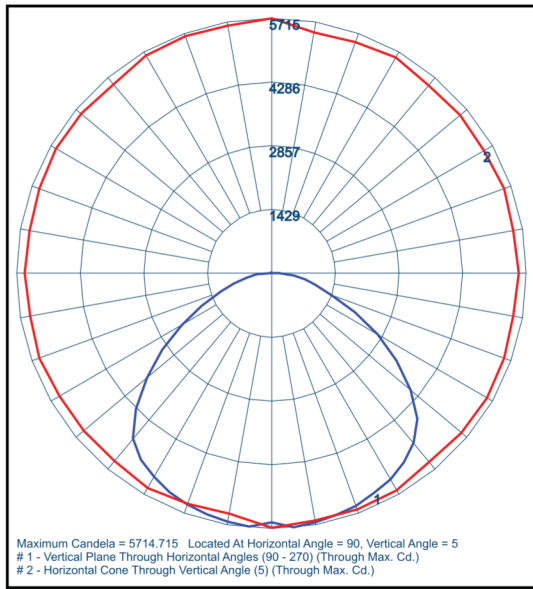
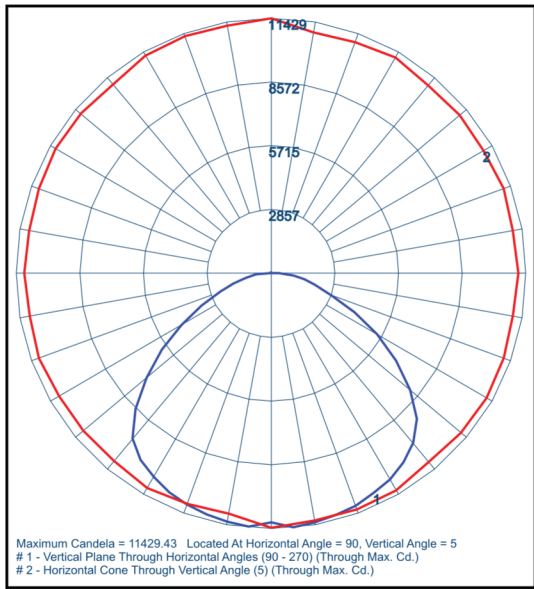
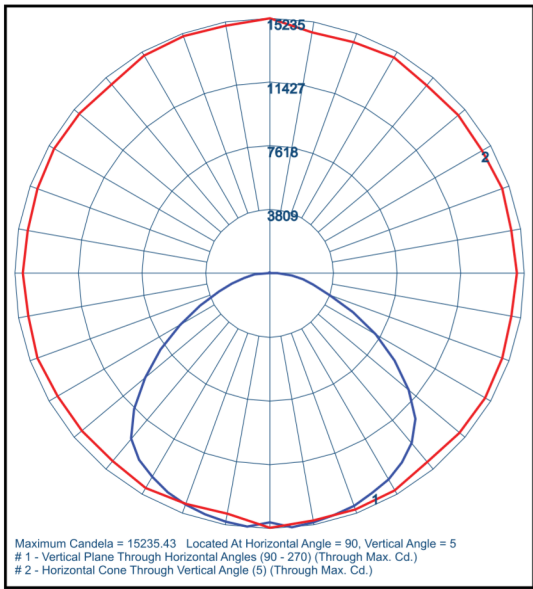
Page 2 for Projected Lumen Maintenance Table



**Order Information Example:** AF33XHBLC332X10U5KPSP

| AFHBLC3                        |   | U          | 5K        | P          |  |
|--------------------------------|---|------------|-----------|------------|--|
| Model                          | Wattage                                   | Driver     | CCT       | Color      | Options  |
| AF33XHBLC3=Linear LED High bay | 12X10 =120w<br>24X10 =240w<br>32X10 =320w | U=120-277V | 5K =5000K | P=Platinum | <p>SP =Surge Protection</p> <p>M3 =Microwave Sensor for Mounting Heights of 20 Feet or Above.*</p> <p>CP6120W =6' White Cord, 3 Wire, L5-15P Twist-Lock Plug</p> <p>CP6277W =6' White Cord, 3 Wire, L7-15P Twist-Lock Plug</p> <p>C6600B =6' Black Cord, STW, 600VAC, 3 Wire, Leads</p> <p>C6600W =6' White Cord, STW, 600VAC, 3 Wire, Leads</p> <p>C4600B =4' Black Cord, SEOOW, 600VAC, 3 Wire, Leads</p> <p>BU =Battery Backup, 90 Minutes*</p> <p>*120-277V Models Only.</p> |

**Photometric Data**



**AF33XHBLC332X10U5K**

**AF33XHBLC324X10U5K**

**AF33XHBLC312X10U5K**

## Photometric Performance

| LED COB Watts | Drive Current (mA) | Input Watts | Optics      | Spacing Criteria | 5000 CCT 80 CRI |     |
|---------------|--------------------|-------------|-------------|------------------|-----------------|-----|
|               |                    |             |             |                  | Lumens          | LPW |
| COB LED 120w  | 265                | 117         | Wide (100°) | 1.16             | 16,686          | 143 |
| COB LED 240w  | 265                | 234         | Wide (100°) | 1.16             | 33,372          | 143 |
| COB LED 320w  | 525                | 312         | Wide (100°) | 1.16             | 44,485          | 143 |

## Projected Lumen Maintenance

| Data shown for 5000 CCT<br>TM-21-11  | Input Watts                           | Compare to MH |            |            |             | Calculated LED Life |
|--------------------------------------|---------------------------------------|---------------|------------|------------|-------------|---------------------|
|                                      |                                       | Initial       | 25,000 Hrs | 50,000 Hrs | 100,000 Hrs |                     |
| L70 Lumen Maintenance @ 25°C / 77°F  | All wattages up to and including 312w | 1.00          | 0.89       | 0.79       | 0.58        | 71,000              |
| L70 Lumen Maintenance @ 50°C / 122°F |                                       | 1.00          | 0.86       | 0.72       | 0.44        | 54,000              |
| L80 Lumen Maintenance @ 40°C / 104°F |                                       | 1.00          | 0.87       | 0.74       | 0.47        | 38,000              |

### NOTES:

1. Projected per IESNA TM-21-11. Data references the extrapolated performance projections for the base model in a 25°C ambient, based on 10,000 hours of LED testing per IESNA LM-80-08.
2. Compare to MH box indicates suggested Light Loss Factor (LLF) to be used when comparing to Metal Halide (MH) systems.

