

VAEL LED LINEAR LIGHTS



AF55XLED-VL2



AF55XLED-VL4

Prismatic Diffuser Lens:

Designed for optimal performance, this fixture features a prismatic diffuser that enhances light distribution while minimizing glare, ensuring uniform and efficient illumination.

Selectable Kelvin and Wattage:

Easily customize color temperature and light output with a convenient smart controller switch, allowing precise adjustment to meet your needs. The fixture also features 0-10V dimming, enabling flexible and efficient illumination control.

Vapor Proof Design:

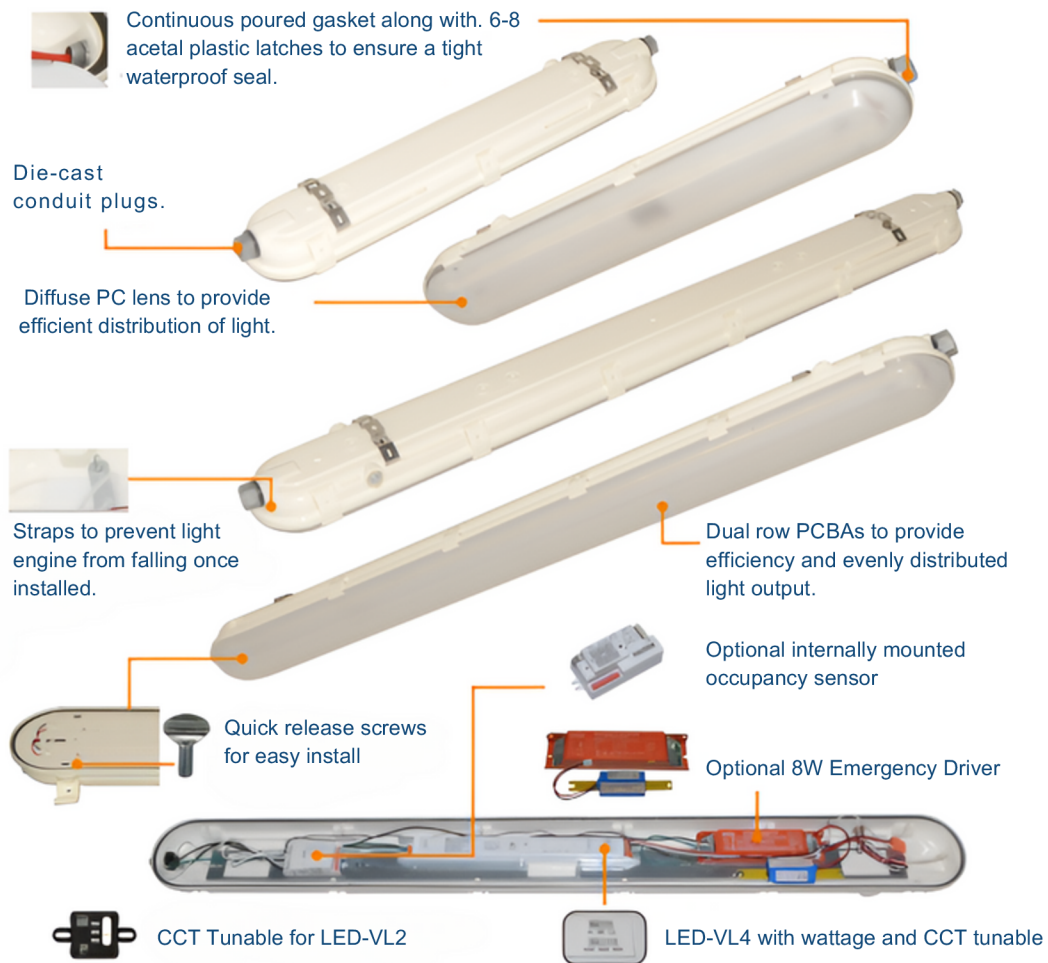
Engineered for harsh environments, this fixture features a vapor-proof construction that provides superior protection against moisture, dust, and contaminants. Its durable, sealed design ensures reliable performance in industrial, wet, and outdoor settings.

PRODUCT DESCRIPTION

VAEL LED linear fixture is built for durability and versatility, featuring vapor-proof construction to protect against moisture, dust, and contaminants. With field-selectable wattage and Kelvin, these fixtures deliver customizable, energy-efficient lighting tailored to various commercial and industrial needs



PRODUCT DESCRIPTION:



FEATURES:

>LISTING

UL and CUL listed for wet locations

FINISH

UV stabilized power coated finish

>LENS

High impact polycarbonate frosted lens

>OPTIONS

Optional photo control with adder

Finish - Bronze / White



PERFORMANCE DATA:

MODEL NO.	NORMINAL WATTS**	LUMENS**	EFFICACY**
AF55XLED-VL2	23W	3423 lm*	154 lm/w**
AF55XLED-VL4	17W/26W/34W	5323 lm*	153 lm/w**
	26W/39W/54W	8175 lm*	155 lm/w**
	30W/45W/58W	8920 lm*	158 lm/w**

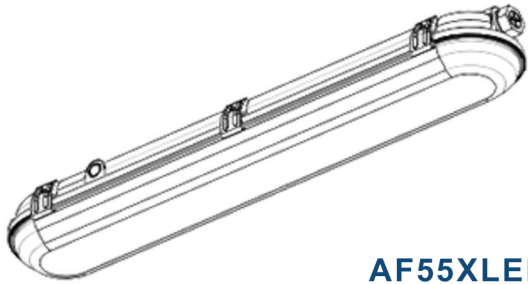
SPECIFICATION:

EXAMPLE: LED-VL-2FT/LED-VL-4FT

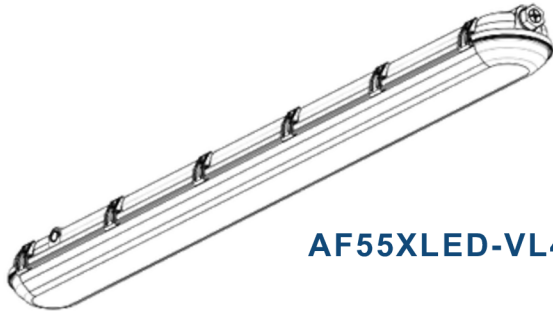
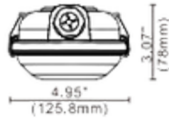
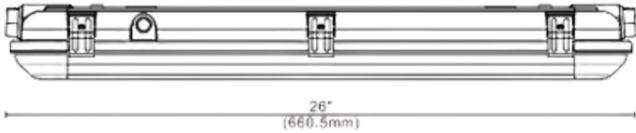
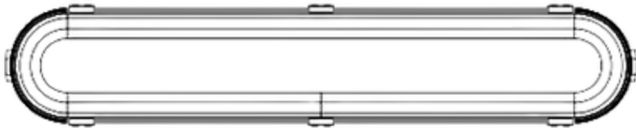
MODEL NO.	NOTMINAL WATTS**	INPUT VOLTAGE	CRI	COLOR TEMP	SENSOR	FINISH	OPTION
AF55XLED-VL2	23W	UNV=120-277VAC	70+	3000K	BLANK= No sensor	WH=White	EM= Emergency Driver
				4000K	OS= Occupancy Sensor		C= Conduit
AF55XLED-VL4	17W/26W/34W 26w/39w/54w 30W/45W/58W			5000K	CFAO= CCT Tunable Controller		

* Different LED Kelvin temperature available with 4-6 week lead time. Please call for a quote.

** DISCLAIMER: This test report was produced in accordance with IES LM-79 photometric testing protocol for luminaires, using a single representative test fixture. Actual production units may vary from the values reported here by up to ±10%.



AF55XLED-VL2



AF55XLED-VL4

