

SHOF

LED WALL PACK LIGHT



Selectable Kelvin:

Adjust your fixture effortlessly to your desired Kelvin temperature with just a flick of a switch. This feature is an easy-to-use tool that provides you with versatility.

Diffuser Lens:

The polycarbonate lens is specifically engineered to achieve maximum light distribution while minimizing glare. This results in a high-impact performance that is sure to meet your needs.

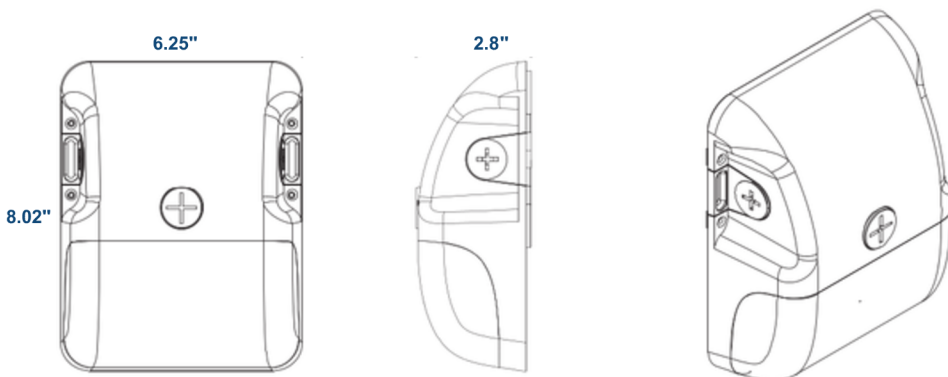
Durable and Waterproof:

With the SHOF featuring die-cast aluminum housing, it is certified for wet locations with UL, CuL, and RoHS listings, guaranteeing durability and reliability.

PRODUCT DESCRIPTION

SHOF LED wall pack is a mini compact wall pack, built with a die-cast aluminum housing and a high-impact polycarbonate diffuser lens, ensuring durability and even light distribution. Equipped with a photocell for automatic operation, it provides reliable illumination when needed. The selectable Kelvin settings (3000K, 4000K, or 5000K) allow you to easily choose your preferred light color with a simple switch. SHOF LED wall packs are ideal for mounting heights of 8 to 15 feet.

DIMENSIONS



PRODUCT DESCRIPTION

Heavy duty die-cast aluminum housing



Built in photocontrol and color tunable controller for varieties of CCT.



High impact polycarbonate lens



Back ring design for even-balanced installation compatible with both round, octagon, and squared junction box.



Level Bubble



Built in level bubble for easy and fast installation.



Meets new DLC 5.1 requirements

FEATURES:

>LISTING

UL and CUL listed for wet locations

HOUSING

Die-cast Aluminum Housing

FINISH

UV stabilized power coated finish

>LENS

High impact polycarbonate frosted lens

>OPTIONS

Finish - Bronze



PERFORMANCE DATA:

MODEL NO.	NORMINAL WATTS**	LUMENS**	EFFICACY**	BUG Rating
AF55XLED-3590	23W	3500 lm*	145.8 lm/w**	B:1 U:3 G:2
**Lumens and efficacy are based on the highest wattage 5000K				

SPECIFICATION:

EXAMPLE: LED-VL-2FT/LED-VL-4FT

MODEL NO.	NOTMINAL WATTS**	INPUT VOLTAGE	CRI	COLOR TEMP	FINISH	STARTING TEMP.
AF55XLED-3590	23W	UNV=120-277VAC	80+	3000K 4000K 5000K 4000K	BZ=Bronze	-40°C ~ +40°C

* Different LED Kelvin temperature available with 4-6 week lead time. Please call for a quote.

** DISCLAIMER: This test report was produced in accordance with IES LM-79 photometric testing protocol for luminaires, using a single representative test fixture. Actual production units may vary from the values reported here by up to ±10%.