

PAXT

LED WALL PACK



FIELD CONFIGURABLE:

PAXT Wall Pack features adjustable wattage and Kelvin temperatures allowing for onsite configuration to suit any environment.

BUILT IN PHOTOCELL:

This fixture automatically adjusts to ambient light, enhancing energy efficiency by reducing unnecessary operation.

GLARE FREE ILLUMINATION:

The high-impact polycarbonate diffused lens reduces glare while providing smooth, comfortable illumination, ensuring safety and comfort in compact spaces.

PRODUCT DESCRIPTION

PAXT LED Wall Pack delivers hassle-free lighting with a built-in photocell for automatic dusk-to-dawn operation. Its rugged aluminum housing and impact-resistant diffuser provide long-lasting, glare-free illumination, making it perfect for entryways, pathways, and outdoor spaces.



SPECIFICATION FEATURES

LISTINGS

UL & CUL Listed for Wet Locations – Certified for safe and reliable performance in wet environments, ensuring durability and compliance with industry safety standards.

HOUSING

Die-Cast Aluminum Housing – Durable construction, corrosion-resistant construction for long-lasting performance and enhanced protection in tough environments.

LENS

High-Impact Polycarbonate Diffuser Lens – Shatter-resistant and engineered for even light distribution

LEDS

New Generation COB LED Technology – High-efficiency, bright, and uniform lighting with superior performance and longevity.

FINISH

UV-Stabilized Powder-Coated Finish – Durable, fade-resistant coating for long-lasting protection against the elements.

COLOR FINISH

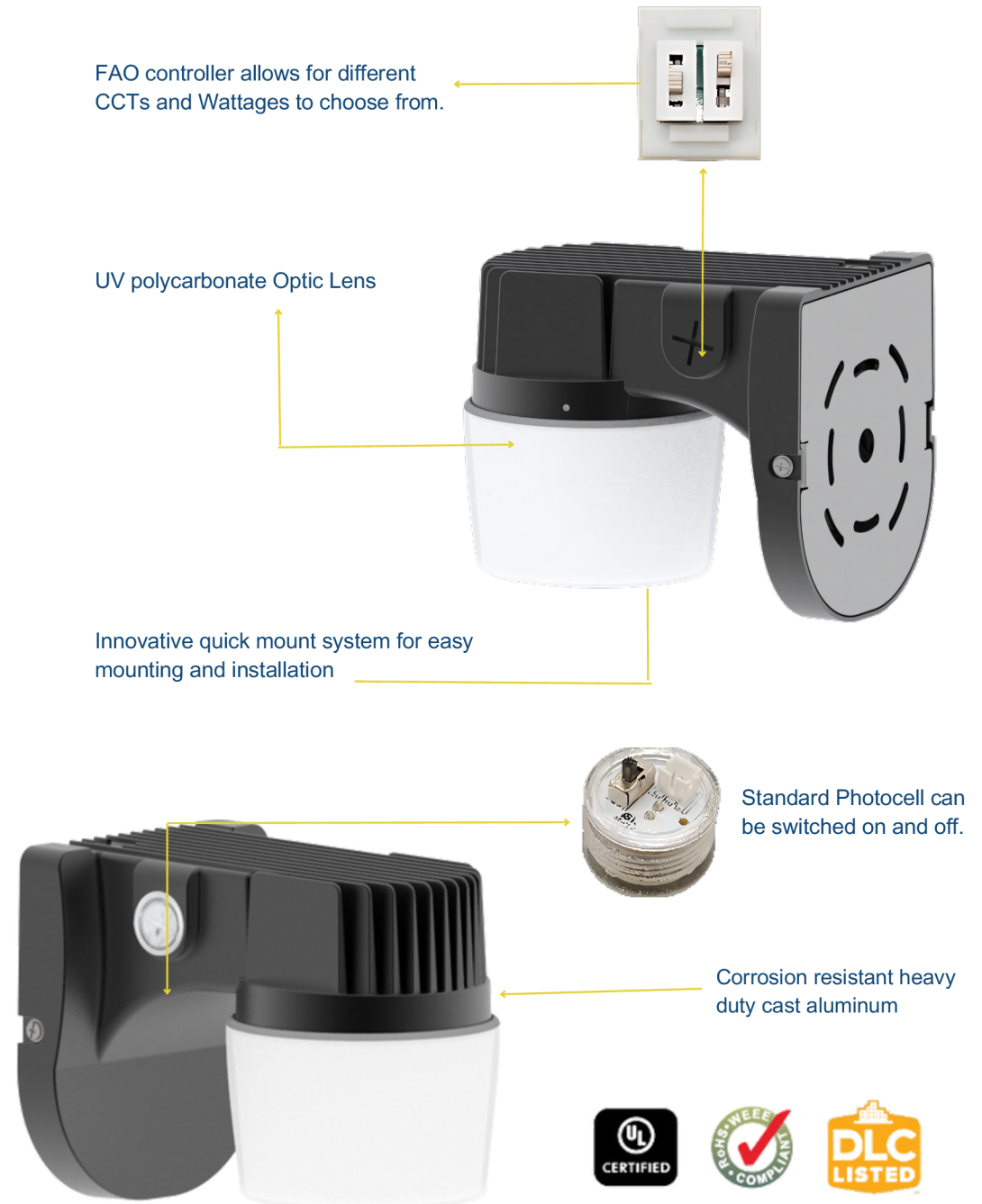
Standard Bronze finish available (Speak to a Lighting Specialist for custom RAL colors)

ADD-ONS

Optional Photo Cell – Automatically adjusts lighting based on ambient light levels, ensuring energy efficiency and convenience

INSTALLATION

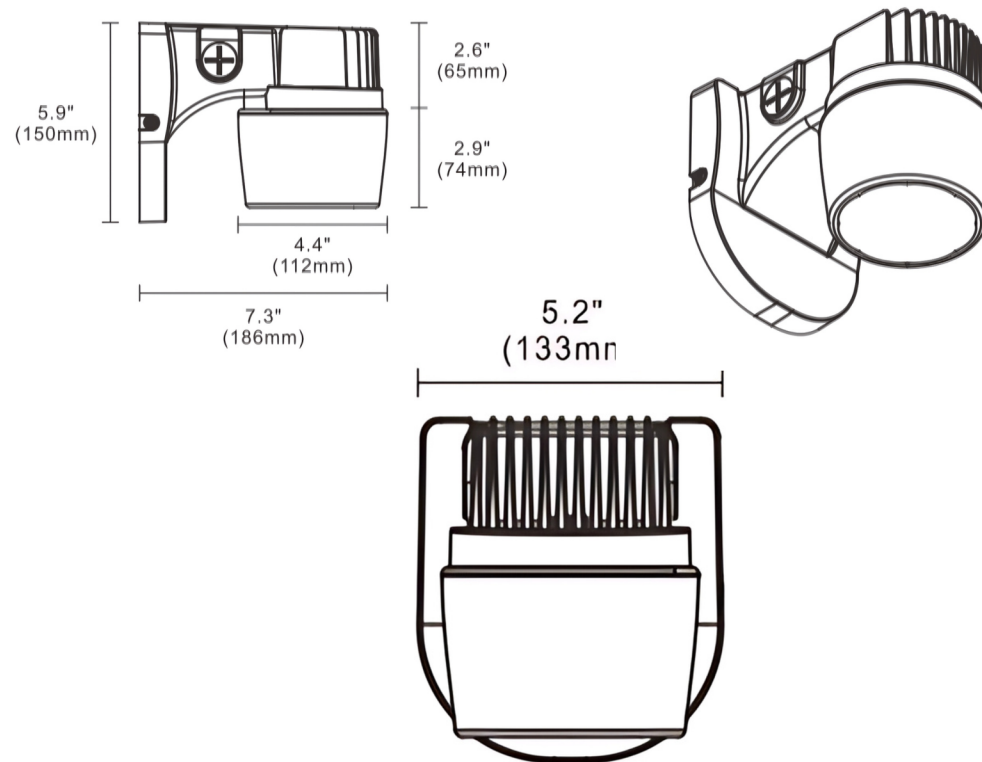
Quick Mount Installation – Easy and fast setup, designed for hassle-free mounting and minimal downtime.



Performance Data

Model NO.	Nominal Watts	Lumens*	Efficacy
AF55XLED-1505CL20345P	10/15/20W	2585*	131 lm/w*

*Lumens and efficacy are based on 5000K highest wattage



Specifications / Ordering Information

Model NO.	Nominal Watts	Input Voltage	CRI	Color Temp	Option	Finish	Starting Temp
AF55XLED-1505CL20345P	020=20W	UNV= 120-277 VAC	8=80+	TX= 3000K 4000K 5000K	Standard Photocell FAO Controller	BN=Bronze	-40°C

