



SWIS

CLASSIC EUROPEAN STYLE POST TOP LIGHT



CLASSIC DESIGN

SWIS LED post top luminaires blend historic European elegance with modern performance. Inspired by early lighting, SWIS evokes old-world charm while delivering high performance illumination.

BABA CERTIFIED

SWIS is designed and manufactured in the USA, and meets Build America Buy America requirements.

CUSTOMIZABLE

Built to order, SWIS has a choice of Kelvin, lenses, finish color, wattage, and optics to meet design and illumination requirements.

PRODUCT DESCRIPTION

Elevate public and private outdoor venues with SWIS. This exquisite luminaire seamlessly blends timeless European elegance with advanced state-of-the-art LED technology and optics. Built-to-order, SWIS is designed and manufactured to meet lighting requirements while delivering striking ambiance and unparalleled performance.



Listings & Ratings

- ETL Listed to UL 1598 Standard for Wet Location
- LED is IP66 Rated

Electrical

- Electronic Driver-120-277V or 347/480V
- 0-10v Dimmable Driver
- Standard Surge Protection included (6kV) 10k-V available

LED

- LED light engine
- Kelvin Temperature -3000K, 4000K, 5000K
- 2700K and (1800K) Available

Distribution

- Types II, III, IV, V

Housing

- Decorative Aluminum Capital Housing choices with 3" Slip Fitter.

Color Finish

- Super Durable Polyester Powder Coat Finish.
- Custom Finishes Available Including Patinas and All RAL Colors.

Controls (Optional)

- Button Eye Photo Control (PC)
- House Side Shield (H)

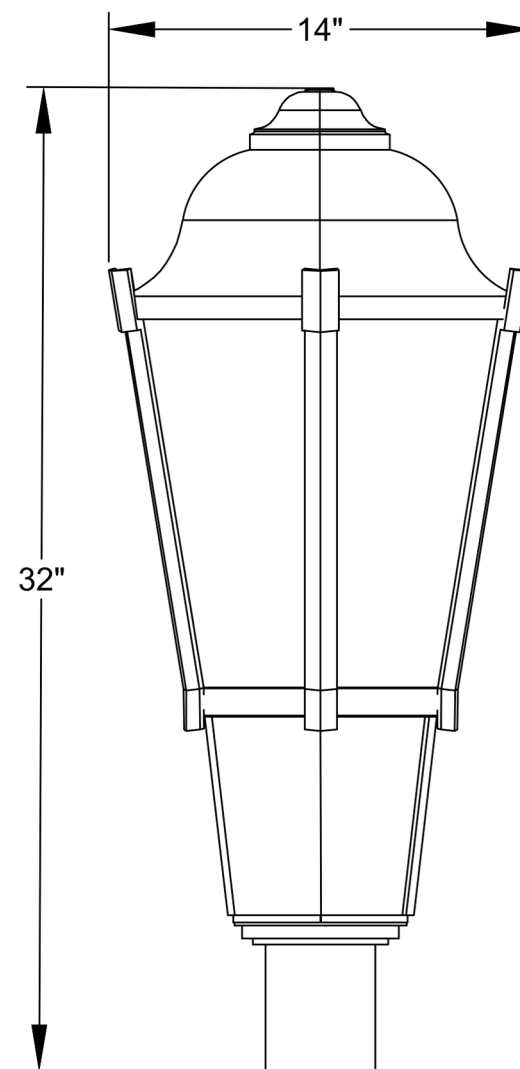
Mounting

- Fits over 3" or 2⁷/₈" pole or tenon

Warranty

- 5 Year Limited Warranty

Matching Custom poles and bases finishes available.



EPA:2.1

Weight 42 lbs (Max)



SPECIFICATION / ORDERING INFORMATION

Model	Lens	Wattage	CCT	Voltage	Optics	Mounting	Options	Finish
AF33XPMCON1	CA=Clear Acrylic FA=Frosted Acrylic WA=White Acrylic PA=Pattern Acrylic CP=Clear Acrylic FP=Frosted Polycarbonate WP=White Polycarbonate	10W=10w 15W=15w 20W=20w 30W=30w 40W=40w 50W=50w 60W=60w	3K=3000K 4K=4000K 5K=5000K	U=120-277V H=347/480V	2=Type II 3=Type III 4=Type IV 5=Type V	PT=Post Top	PC=Button Eye Photo Cell H=House Side Shield N=None	BK=Black BZ=Bronze DBZ=Dark Bronze WH=White GR=Green SM=Silver Metallic GY=Light Gray TBK=Textured Black CC=Custom Color (Speak to a Lighting Specialist)

****1800K and 2700K** Available For Some Wattages**

Lumens Output for SWIS								
Wattage		10w	15w	20w	30w	40w	50w	60w
Diameter		6"	6"	6"	6"	8"	8"	8"
Input Watts		10.2	14.6	20.4	30.6	40.8	51.0	56.6
Otpic	CCT	DELIVERED LUMENS						
2 = Type II Clear, Frosted, or Ribbed Lens	3K	1,344	1,763	2,352	3,527	4,703	5,878	7,055
	4K	1,371	1,800	2,400	3,600	4,800	6,001	7,200
	5K	1,392	1,828	2,437	3,655	4,874	6,091	7,310
	BUG Rating	B0-U2-G1	B1-U2-G1	B1-U2-G1	B1-U2-G1	B1-U3-G1	B1-U3-G1	B2-U3-G2
3 = Type III clear, Frosted, or Ribbed Lens	3K	1,342	1,760	2,348	3,521	4,695	5,869	7,043
	4K	1,369	1,797	2,396	3,595	4,792	5,991	7,188
	5K	1,390	1,825	2,433	3,649	4,866	6,081	7,298
	BUG Rating	B1-U2-G1	B1-U2-G1	B1-U2-G1	B1-U2-G1	B2-U3-G2	B2-U3-G2	B2-U3-G2
4 = Type IV Clear, Frosted, or Ribbed Lens	3K	1,312	1,721	2,296	3,443	4,591	5,739	6,887
	4K	1,339	1,758	2,343	3,515	4,686	5,858	7,029
	5K	1,359	1,784	2,379	3,569	4,758	5,947	7,136
	BUG Rating	B1-U2-G1	B1-U2-G1	B1-U2-G1	B1-U2-G1	B1-U3-G2	B2-U3-G2	B2-U3-G2
5 = Type V Clear, Frosted, or Ribbed Lens	3K	1,373	1,801	2,402	3,603	4,804	6,005	7,207
	4K	1,401	1,839	2,452	3,678	4,903	6,130	7,355
	5K	1,423	1,867	2,489	3,734	4,979	6,222	7,467
	BUG Rating	B1-U2-G1	B1-U2-G1	B2-U2-G1	B2-U2-G1	B3-U3-G1	B3-U3-G1	B3-U3-G2
5 = Type V, with White-Opal Lens	3K	964	1,446	1,928	2,893	3,857	4,821	5,785
	4K	984	1,477	1,969	2,953	3,937	4,921	5,906
	5K	999	1,499	1,998	2,998	3,997	4,997	5,996
	BUG Rating	B1-U3-G1	B1-U3-G1	B1-U3-G2	B1-U4-G2	B1-U4-G2	B2-U4-G3	B2-U5-G3