



BOST

CLASSIC BOSTONIAN STYLE WALL PACK LIGHT



ARCHITECTURAL GRADE:

Crafted from precision-engineered, die-cast aluminum, this BAA-compliant fixture is designed and manufactured to deliver superior aesthetics and durability, to meet the highest performance standards.

PRODUCT FAMILY:

This versatile fixture offers multiple form factors for facilities that require matching fixtures in surrounding locations: post-tops for pathway, driveway and roadway lighting, wall mounts for accents on buildings and to light entries, and pendants for under canopies.

EXTREME-LIFE With LED EFFICIENCY:

Powered by advanced, energy-efficient LED technology, BOST luminaires features an EXTREME-LIFE L70 rating of 187,000 hours, exceptional durability, and virtually maintenance-free performance.

PRODUCT DESCRIPTION:

BOST luminaires, available as post-tops, wall packs, and pendants, combine classic architectural elegance with modern design. Crafted from die-cast aluminum, the lantern-inspired form is accented by sleek support arms for a contemporary touch. With many customizable options, BOST perfectly balances style with aesthetics.



Listings & Ratings

- CSA: Listed for Wet Locations
- ANSI/UL 1598, 8750
- LED is IP66 Rated

Electrical

- Electronic Driver-120-277V or 347/480V
- 0-10v Dimmable Driver
- Standard Surge Protection included (6kV) 10k-V available

LED

- LED light engine
- Kelvin Temperature - 3000K, 4000K, 5000K

Lens

- Clear UV Stabilized Polycarbonate Vandal-Resistant

Distribution

- Types II, III, IV, V

Housing

- Die Cast Aluminum Housing

Color Finish

- Black Powder Coat over a Chromate Conversion Coating.
- Custom RAL Color Available.

Mounting

- Post Top Accommodates "P3" 2 $\frac{7}{8}$ " O.D. x 3" Tenon.
- Wall Attachment Hardware NOT Included (Consult Lighting Specialist)
- Pendant Mount Includes 15" Swivel Stem for Mounting on Flat or Sloped Ceilings.

Warranty

- 5 Year Limited Warranty

EPA: 0.8

Weight 14 lbs



SPECIFICATION / ORDERING INFORMATION

Model	Lens	Wattage	CCT	Voltage	Optics	Finish	Options
AF33XWM12Q AF33XWMWS12Q AF33XWMP12Q	C=Clear UV- Stabilized Polycarbonate	1X10=10w 1X19=19w 1X28=28w	3K=3000K 4K=4000K 5K=5000K	U=120-277V H=347/480V	B=Type II C=Type III D=Type IV F=Type V	B=Black C=Custom Finish	Tenon Adaptor, Black Tenon Adaptor, Custom Color SF=Single Fuse* DF=Double Fuse* SP=Surge Protection 3-Pin Twist Lock Photocell 5-Pin Twist Lock Photocell 7-Pin ANSI C136.41—2013 Twist Lock Photocell Microwave Sensor with Dimming for Mounting Heights of 8' to 26'.* BU=Battery Backup, 90 Minutes* Cold Start Battery Backup, -20°C, 90 Minutes

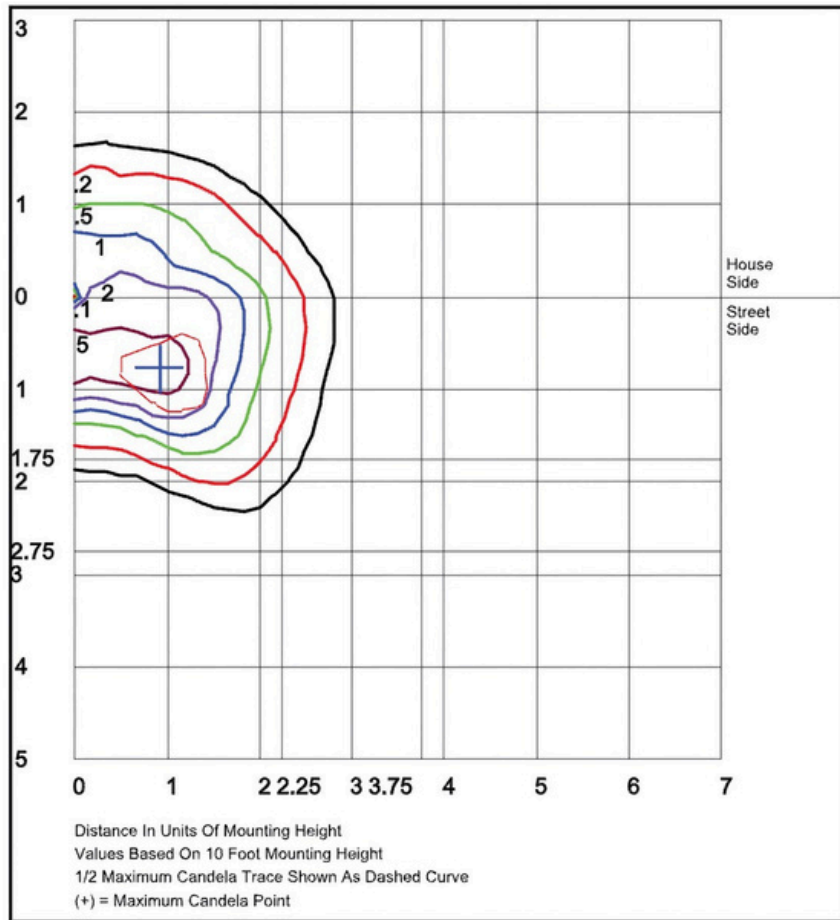
PHOTOMETRIC PERFORMANCE

Wattage		10w	19w	28w
Input Watts		10.3	20.5	30.8
Otpic	CCT	DELIVERED LUMENS		
AF33XWM12Q B = Type II	3000K	833	1,666	2,499
	4000K	860	1,720	2,579
	5000K	893	1,787	2,680
	BUG Rating	B0-U0-G0	B0-U0-G1	B1-U0-G1
AF33XWM12Q C = Type III	3000K	876	1,752	2,628
	4000K	904	1,809	2,712
	5000K	939	1,879	2,818
	BUG Rating	B0-U0-G1	B1-U0-G1	B1-U0-G1
AF33XWM12Q D = Type IV	3000K	867	1,735	2,296
	4000K	895	1,790	2,343
	5000K	930	1,860	2,379
	BUG Rating	B0-U0-G1	B1-U0-G2	B1-U2-G1
AF33XWM12Q F = Type V	3000K	1,373	1,836	2,753
	4000K	1,401	1,894	2,841
	5000K	1,423	1,968	2,952
	BUG Rating	B1-U2-G1	B2-U0-G1	B2-U0-G1

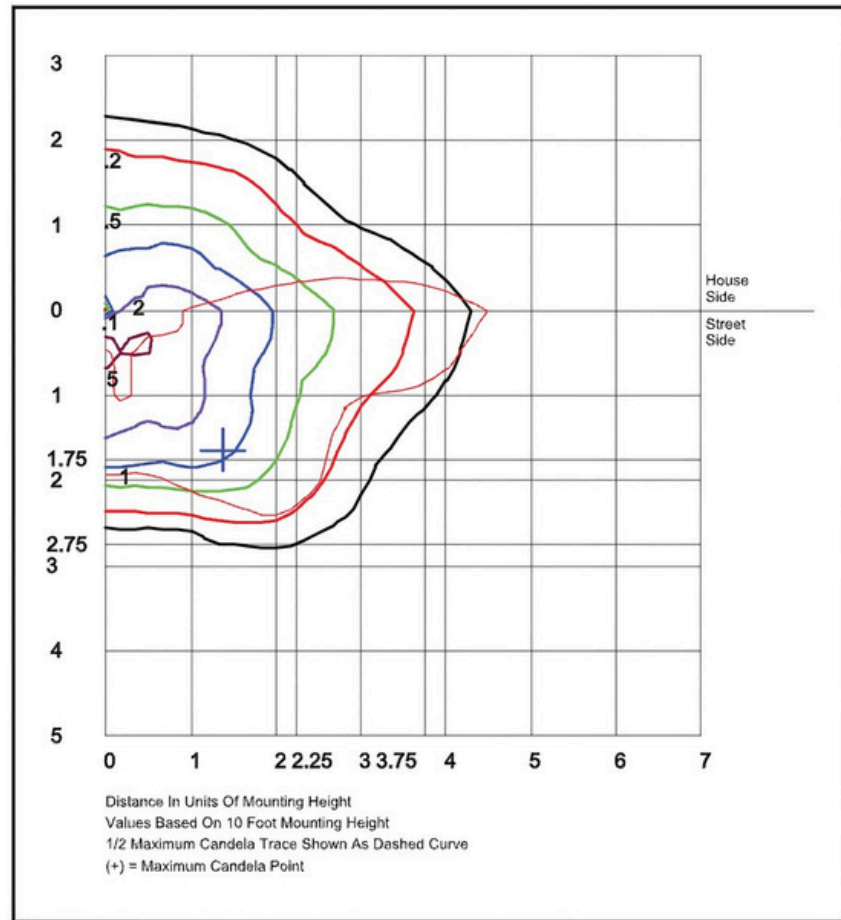
PROJECTED LUMEN MAINTENANCE

Data shown for 5000 CCT				Compare to MH			
TM-21-11	Input Watts	Initial	25,000 Hrs	50,000 Hrs	100,000 Hrs	Calculated LED Life	
L70 Lumens Maintenance @ 25° / 77°	All wattages up to and including 28w	1.00	0.96	0.92	0.84	187,000	
L70 Lumens Maintenance @ 50° / 122°		1.00	0.93	0.87	0.73	113,000	
L80 Lumens Maintenance @ 40° / 104°		1.00	0.97	0.93	0.86	144,000	

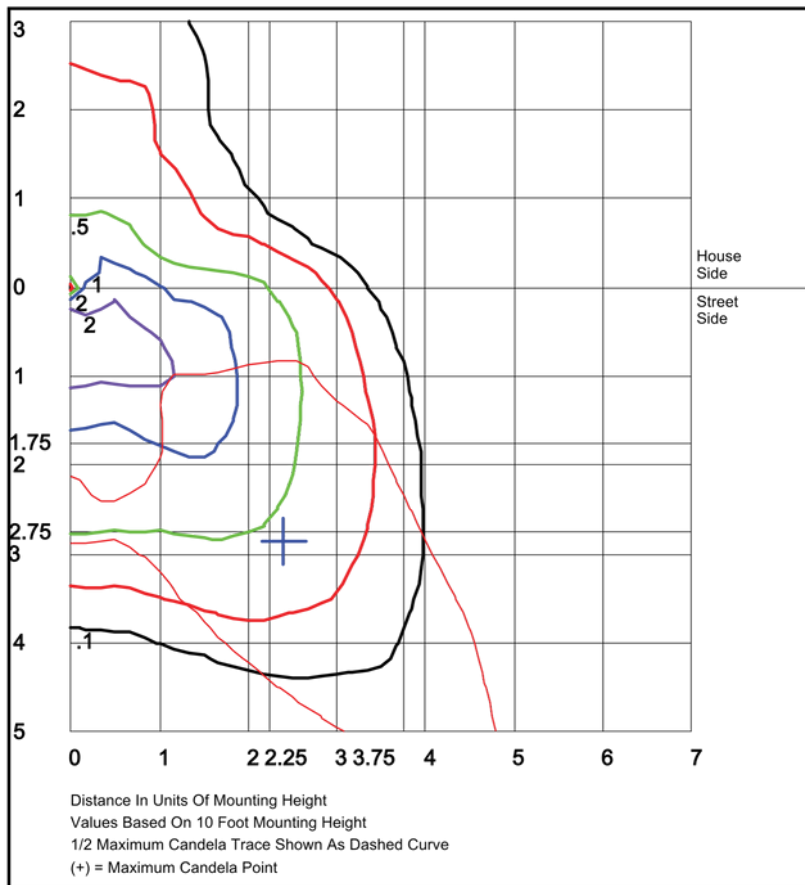
Photometric Data



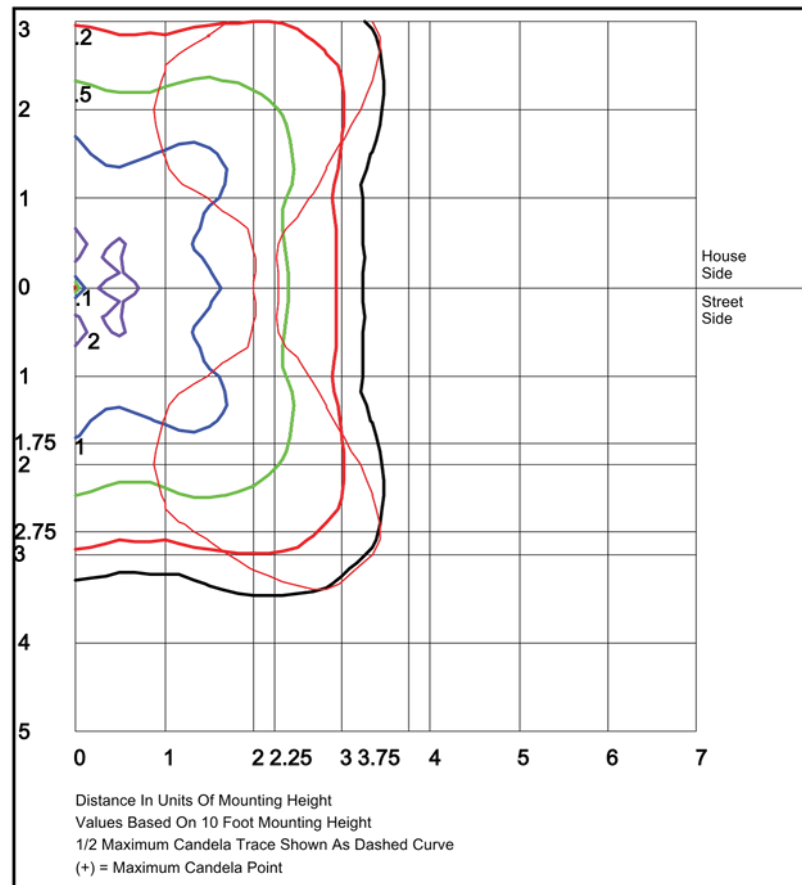
AF33XWM12QB1X28WU5K
 Type II



AF33XWM12QC1X28WU5K
 Type III

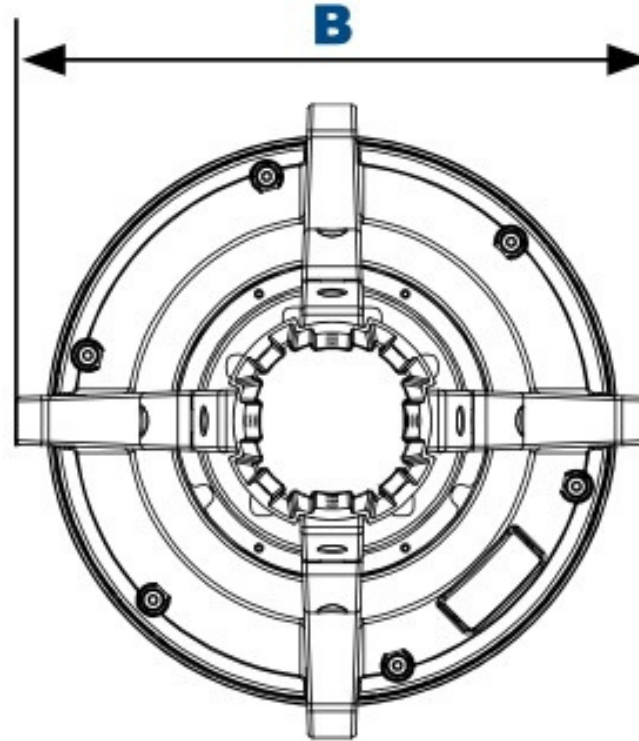
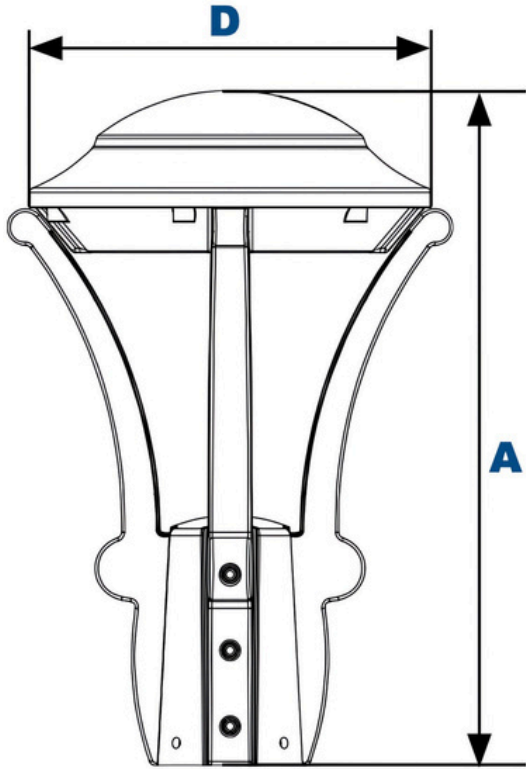


AF33XWM12QD1X28WU5K
Type IV



AF33XWM12QF1X28WU5K
Type V

DIMENSIONS



Dimension	
Width (B)	11½" (294mm)
Diameter (D)	10½" (264mm)
Height (A)	17½" (445mm)