



# BOST

## CLASSIC BOSTONIAN STYLE BOLLARD LIGHT



### ARCHITECTURAL GRADE:

Crafted from precision-engineered, die-cast aluminum, this BAA-compliant fixture is designed and manufactured to deliver superior aesthetics and durability, to meet the highest performance standards.

### PRODUCT FAMILY:

This versatile bollard offers multiple form factors for facilities that require matching fixtures in surrounding locations: post-tops for pathway, driveway and roadway lighting, wall mounts for accents on buildings and to light entries, and pendants for under canopies.

### EXTREME-LIFE With LED EFFICIENCY:

Powered by advanced, energy-efficient LED technology, BOST luminaires features an EXTREME-LIFE L70 rating of 187,000 hours, exceptional durability, and virtually maintenance-free performance.

### PRODUCT DESCRIPTION:

BOST luminaires, available as post-tops, wall packs, and pendants, combine classic architectural elegance with modern design. Crafted from die-cast aluminum, the lantern-inspired form is accented by sleek support arms for a contemporary touch. With many customizable options, BOST perfectly balances style with aesthetics.



## Listings & Ratings

- CSA: Listed for Wet Locations
- ANSI/UL 1598, 8750
- LED is IP66 Rated

## Electrical

- Electronic Driver-120-277V
- 0-10v Dimmable Driver
- Standard Surge Protection included (2kV) 10k-V available

## LED

- LED light engine
- Kelvin Temperature - 3000K, 4000K, 5000K

## Lens

- Clear UV Stabilized Polycarbonate Opal Vandal-Resistant

## Distribution

- Types II, III, IV, V

## Housing

- Extruded Die Cast with Flush Mount Base and Vandal-Resistant Screws

## Color Finish

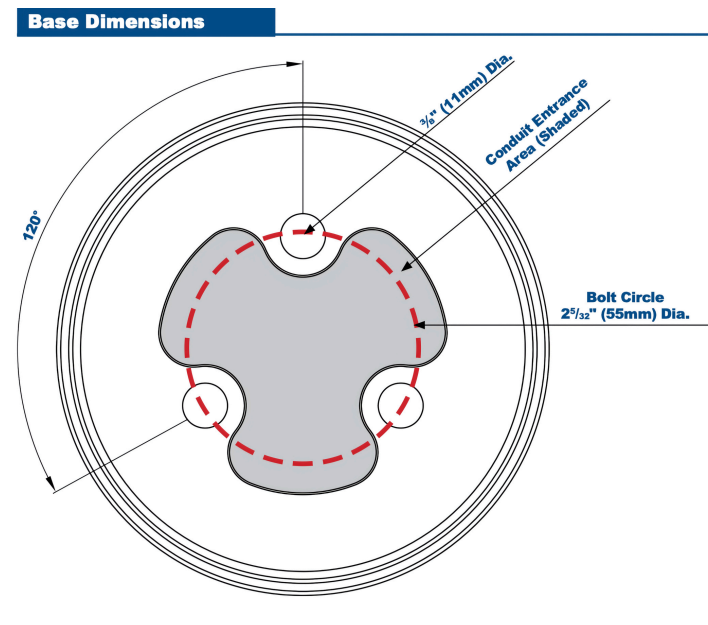
- Textured Architectural Black Powder-Coat Finish Over a Chrome Conversion
- Custom RAL Color Available.

## Mounting

- Mounting Kit with 8" Zinc Plated Anchor Bolts

## Warranty

5 Year Limited Warranty



**Weight 25 lbs**

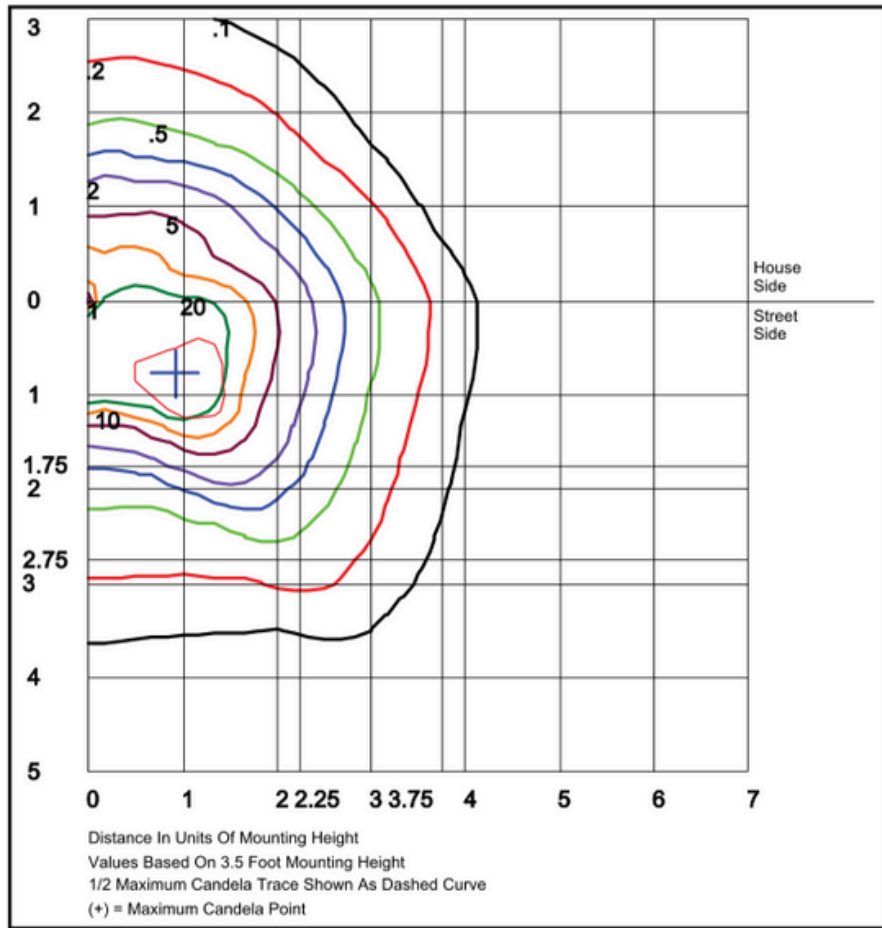
## SPECIFICATION / ORDERING INFORMATION

Model	Lens	Wattage	CCT	Voltage	Optics	Finish	Options
AF33XWMB12Q	C=Clear UV-Stabilized Polycarbonate Vandal Resistant Opal Lens	1X10=10w 1X19=19w 1X28=28w	3K=3000K 4K=4000K 5K=5000K	U=120-277V	B=Type II C=Type III D=Type IV F=Type V	B=Black C=Custom Finish	SF=Single Fuse* DF=Double Fuse* SP=Surge Protection GF1=GFCI Outlet, 15 A Microwave Sensor with Dimming and Remote Programming BU=Battery Backup, 90 Minutes* Cold Start Battery Backup, -20°C, 90 Minutes

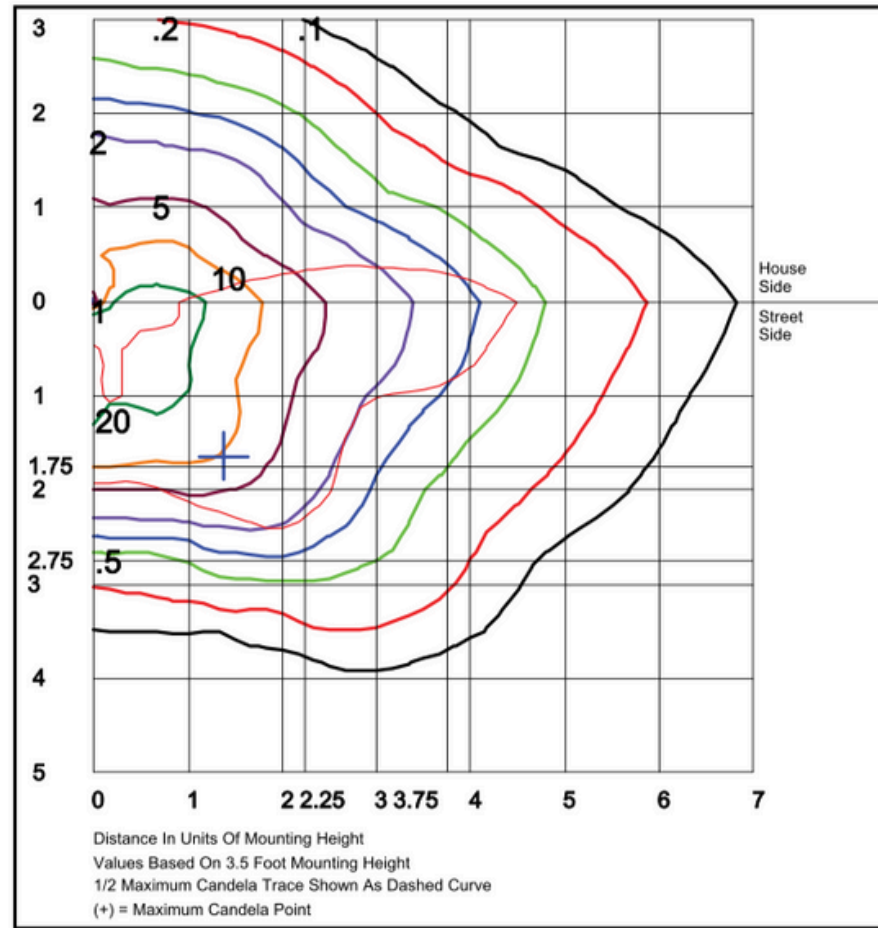
## PHOTOMETRIC PERFORMANCE

Wattage		10w	19w	28w
Input Watts		10.3	20.5	30.8
Otpic	CCT	DELIVERED LUMENS		
AF33XWMB12Q With Clear Polycarbonate Optical Lens B = Type II	3000K	833	1,666	2,499
	4000K	860	1,720	2,579
	5000K	893	1,787	2,680
	BUG Rating	B0-U0-G0	B0-U0-G1	B1-U0-G1
AF33XWMB12Q With Clear Polycarbonate Optical Lens C= Type III	3000K	876	1,752	2,628
	4000K	904	1,809	2,712
	5000K	939	1,879	2,818
	BUG Rating	B0-U0-G1	B1-U0-G1	B1-U0-G1
AF33XWMB12Q With Clear Polycarbonate Optical Lens D = Type IV	3000K	867	1,735	2,602
	4000K	895	1,790	2,686
	5000K	930	1,860	2,790
	BUG Rating	B0-U0-G1	B1-U0-G2	B1-U0-G2
AF33XWMB12Q With Clear Polycarbonate Optical Lens F = Type V	3000K	918	1,836	2,753
	4000K	947	1,894	2,841
	5000K	984	1,968	2,952
	BUG Rating	B1-U0-G1	B2-U0-G1	B2-U0-G1

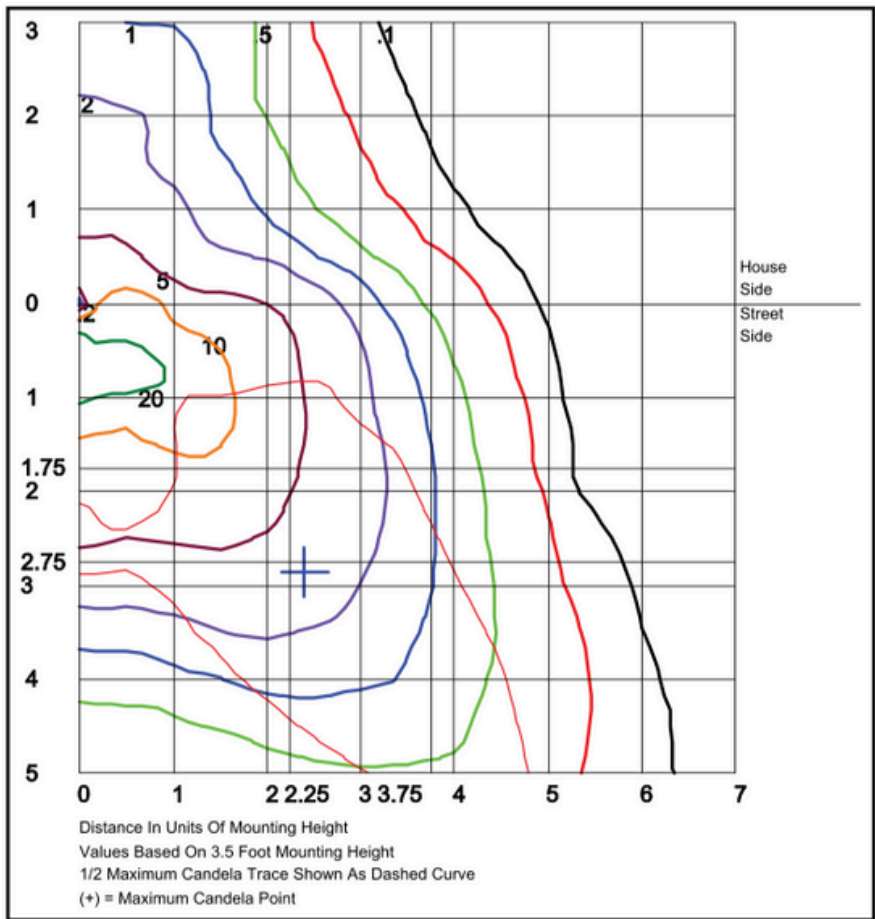
## Photometric Data



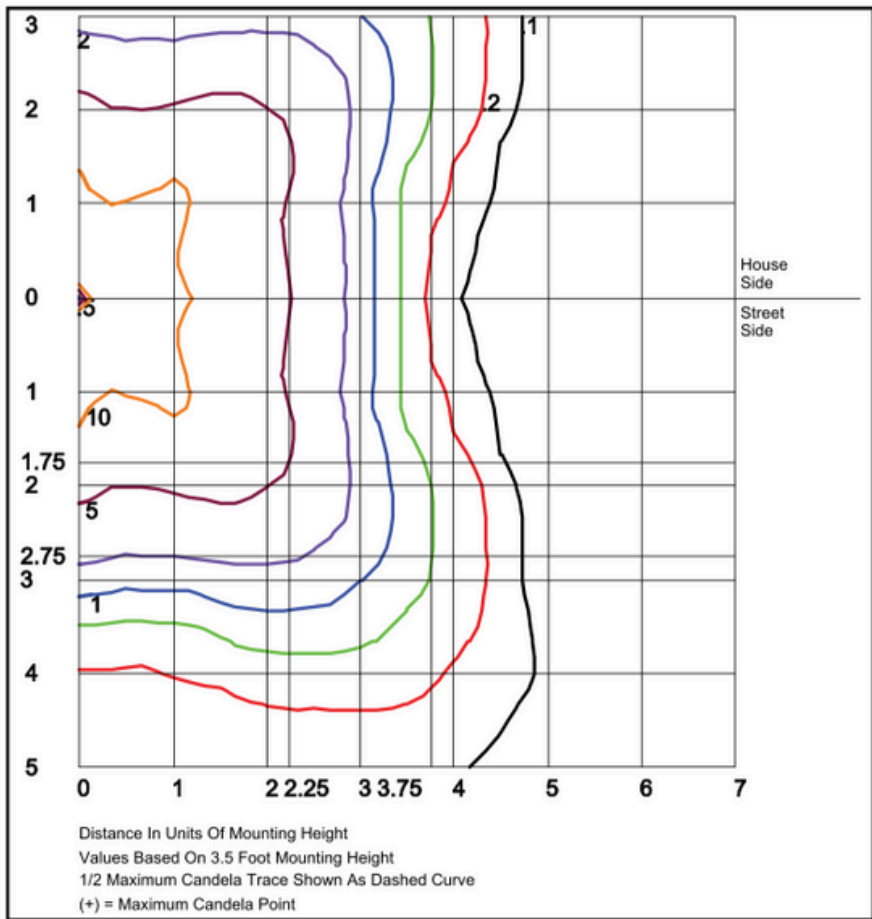
AF33XWMB12QB1X28U5K  
 Type II



AF33XWMB12QC1X28U5K  
 Type III



AF33XWMB12QD1X28U5K  
 Type IV

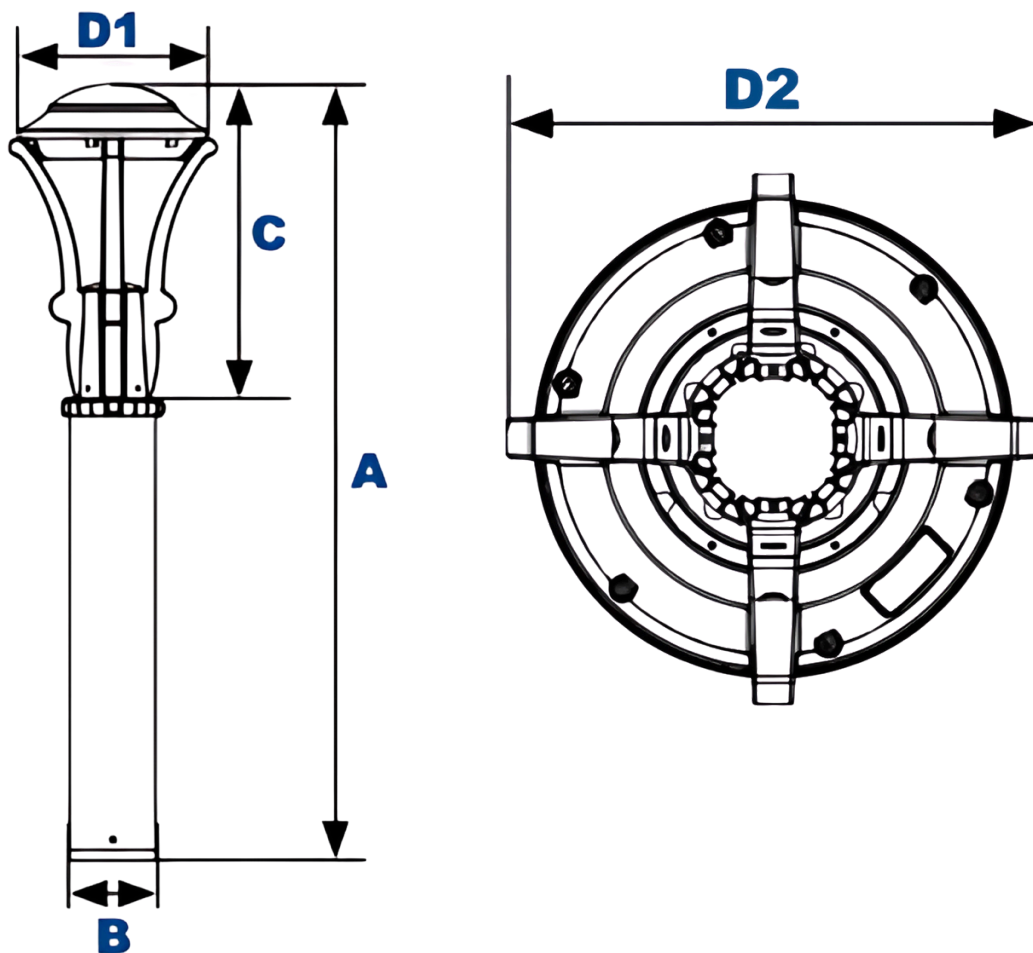


AF33XWMB12QF1X28U5K  
 Type V

## PROJECTED LUMEN MAINTENANCE

Data shown for 5000 CCT			Compare to MH			
TM-21-11	Input Watts	Initial	25,000 Hrs	50,000 Hrs	100,000 Hrs	Calculated LED Life
L70 Lumens Maintenance @ 25°C / 77°F	All wattages up to and including 31w	1.00	0.96	0.92	0.84	187,000
L70 Lumens Maintenance @ 50°C / 122°F		1.00	0.93	0.87	0.73	113,000
L80 Lumens Maintenance @ 40°C / 104°F		1.00	0.97	0.93	0.86	144,000

## DIMENSIONS



Dimensions	
Diameter 1 (D1)	10½" (264mm)
Diameter 2 (D2)	11½" (294mm)
Height 1 (A)	43" (1093mm)
Height 2 (C)	17¾" (441mm)
Base (B)	4¾" (120mm)