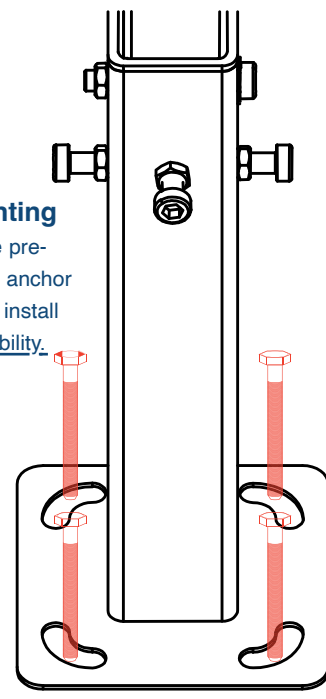


SYNO GROUND MOUNT INSTALLATION GUIDE

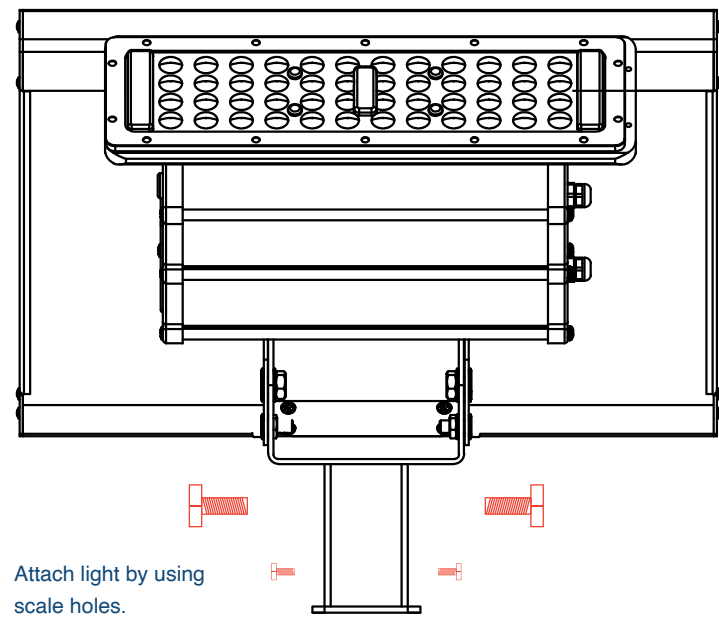
Step 1- Secure Mounting

Attach the fixture using the pre-drilled holes. For concrete, anchor securely. For soil or grass, install with a ground spike for stability.



Step 2- Set The Height

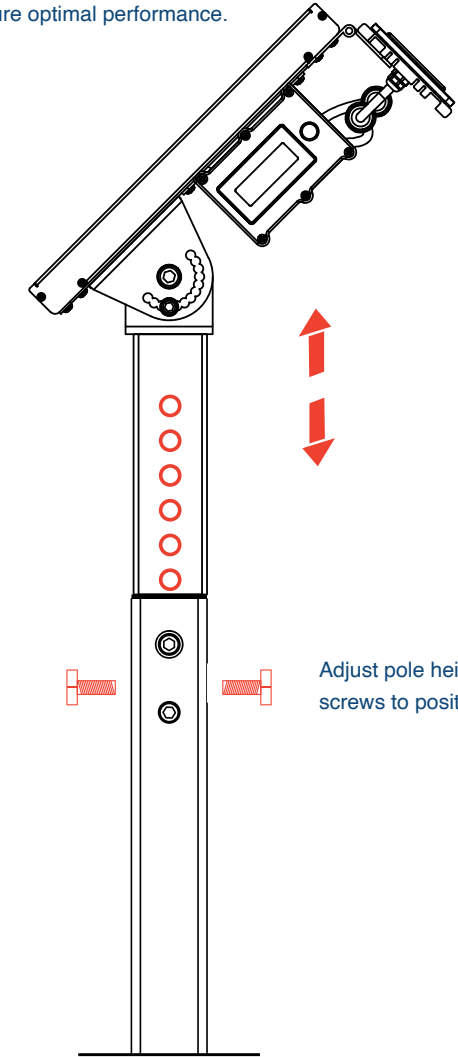
Adjust the telescopic pole to the desired height and tighten all screws to lock the fixture in place.



Attach light by using scale holes.

Step 3- Aim The Light and Panel

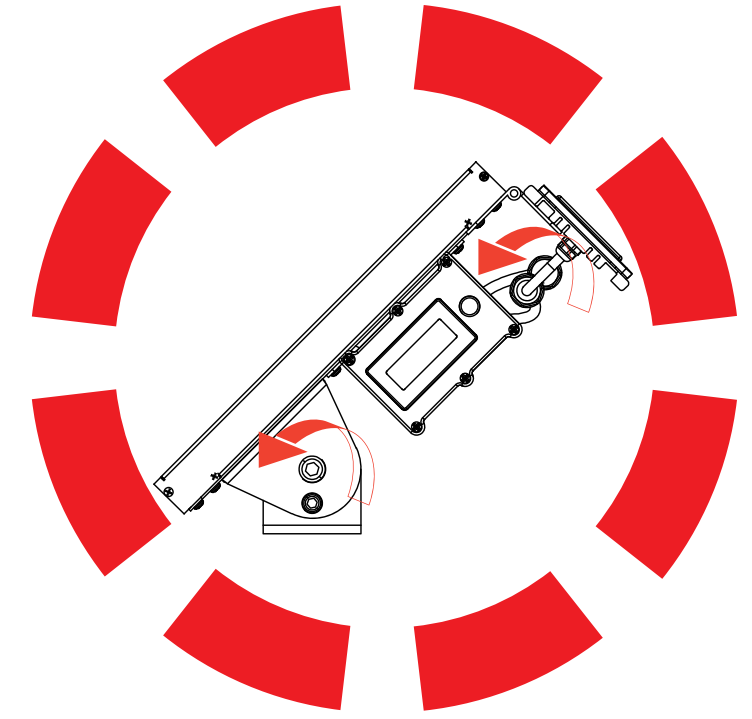
Position the LED head toward the sign and angle the solar panel for maximum sun exposure to ensure optimal performance.



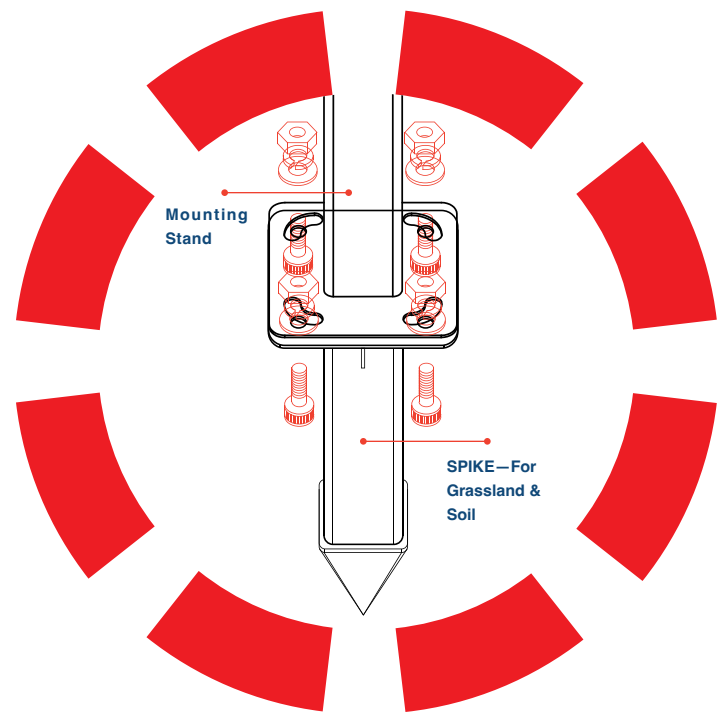
Adjust pole height, then tighten screws to position.

Step 4- Power On and Charge

Press the power button once and allow the fixture to charge in direct sunlight for 6–8 hours before first use. The light will operate automatically from dusk to dawn.



Optimize efficiency by rotation Panel and Light.



GROUND MOUNT—For Grassland & Soil

If you wish to install the SYNO on grassland and soil, you need a SPIKE

1. Attach the SPIKE to the Mounting Stand and secure with four screws.
2. Press it into the grassland or soil.

TIP

Use one bolt to set height, then tighten rest of the screws.

NOTES

1. All screws and bolts must be tightened firmly.
2. Only press the main power button once. The light will operate automatically at night.
3. Please charge the product for 6-8 hours before use.

SYNO packaging does not include the spike, please place order separately.