

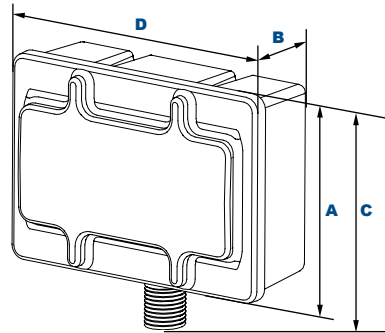
# AF33XACCHSG2

## Die Cast Sensor Housing



With Clear Cover  
(Photocell/Motion Operation)

With Bronze Cover  
(Motion Only Operation)



### Dimensions

<b>Width (D)</b>	5½" (144mm)
<b>Depth (B)</b>	2½" (67mm)
<b>Height (A)</b>	4" (104mm)

The AF33XACCHSG2 Die Cast Sensor Box provides the ability to easily add motion and daylight control to individual fixtures as well as groups of fixtures that require common control for a defined sensor coverage area. The box is IP66 rated for any orientation, and mounts to fixtures with an NPS opening or directly to a junction box in the lighting circuit conduit system for downstream control. Additionally, the box can be mounted to lighting poles at various heights to control all fixtures on each specific pole.

### Specifications and Features:

#### Housing:

Heavy-Duty Die Cast Aluminum Housing with ½" NPS Threaded Stem and Locknut. Fully-Gasketed Lens Opening with Nickel-Plated Stainless Steel Fasteners.

#### Sensor Integration:

Sensor Box is Designed for Use with P17117 Internally-Mounted Microwave Motion Sensor. Sensor Provides a Full Range of Motion Activated Control, and Includes Photocell Daylight Harvesting.

#### Finish:

Bronze Powdercoat Finish Over a Chromate Conversion Coating. Custom Colors Available Upon Request. (Lens Cannot be Painted)

#### Lens:

Includes Clear and Bronze UV-Stabilized Polycarbonate Vandal-Resistant Lenses. Use Bronze Lens with Microwave Sensors; Clear Lens for Daylight Harvesting Applications.

#### Mounting Options:

Installs in ½" NPS Threaded Aperture, or Can Be Remote Mounted Using ½" Threaded Conduit.

#### Listing & Ratings:

IP66

### Order Information Example: AF33XACCHSG2ZS2

AF33XACCHSG2		
Model	Color	Sensor
AF33XACCHSG2 = Die Cast Sensor Housing	Z=Bronze C=Custom (Consult Factory)	S2=P17117 Sensor Included S4=P17123 Sensor Included  Leave Blank for No Sensor