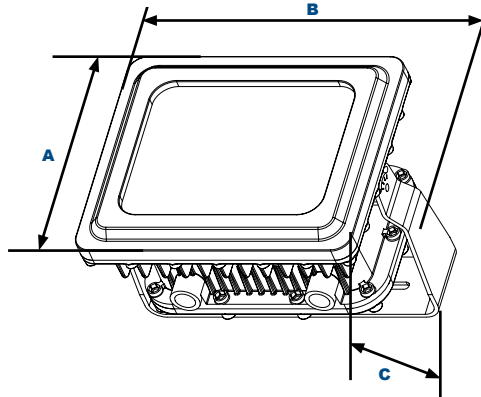


HAZR

L70
25°C

329,000 Hours

Hazardous Location LED Explosion Proof Flood



Dimensions

Height (A)	10 3/4" (273mm)
Width (B)	13 3/4" (348mm)
Length (C)	9 3/4" (248mm)

HAZR AF33XHLF25Q Class 1, Division 2 Explosion Proof Hazardous Location Luminaire functions as a high bay light, wall mount light or flood light. It is available with a clear tempered glass lens. Typical lighting applications include industrial facilities, oil, gas, painting facilities, manufacturing, and auto service facilities.

Specifications and Features:

Housing:

Heavy-Duty Die Cast Aluminum Housing with 3/4" Stainless Steel Close-Up Plugs for Wiring Entrance Conduits and Fittings.

Listing & Ratings:

ETL Listed for Hazardous Locations Per UL844 as Follows: Class 1, Division 2 Groups A, B, C, D; T4 Temperature Rating, -25°C to +50°C Ambient. Suitable for Wet Locations, Sealed LED Compartment

Finish:

Powdercoat Finish Over a Chromate Conversion Coating.

Lens:

Clear Tempered Glass Lens

Mounting Options:

Mount with Stamped Steel Adjustable Yoke. Includes 3' 16/3 SJOOW Cord and Rated Connector. Rated for 6 #12 AWG 90°C for Through Wiring.

LED:

Aluminum Boards

Wattage:

Array: 132.2w, System: 140.2w

Driver:

Electronic Driver, 120-277V, 50/60Hz; Less Than 20% THD and PF>0.90. Standard Internal Surge Protection 6kV. 0-10V Dimming Standard for a Dimming Range of 100% to 10%; Dimming Source Current is 150 Microamps.

Warranty:

5-Year Warranty

See Page 2 for Projected Lumen Maintenance Table.

Order Information Example:

HLF25QF132U5KCGYSP

HAZR	F	132	U		C	G	Y	
Model	Optics	Wattage	Driver	CCT	Lens	Color	Mount	Options
AF33XHLF25Q = EXTREME LIFE LED Explosion Proof Flood	F=110°H x 110°V, NEMA 7H x 7V	132=132w	U=120-277V	4K=4000K 5K=5000K	C=Clear Tempered Glass Lens	G=Gray	Y=Adjustable Yoke	SP=Surge Protection

Project Information:

Project Name: _____ Fixture Type: _____

Complete Catalog #: _____ Date: _____

Comments: _____

Certification & Listings:

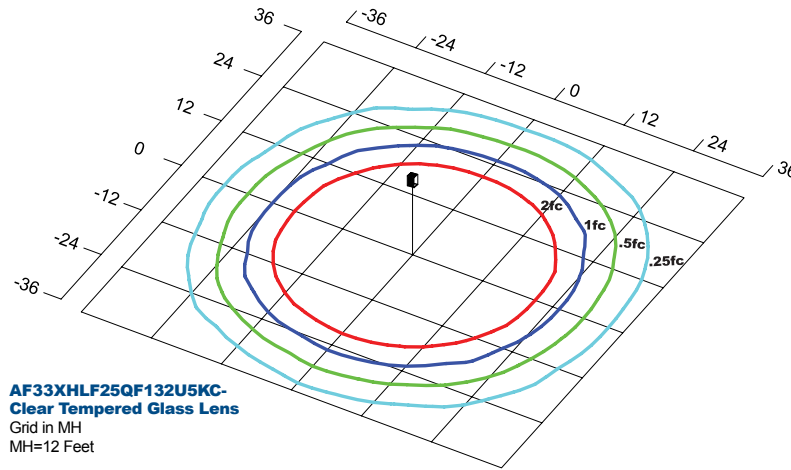
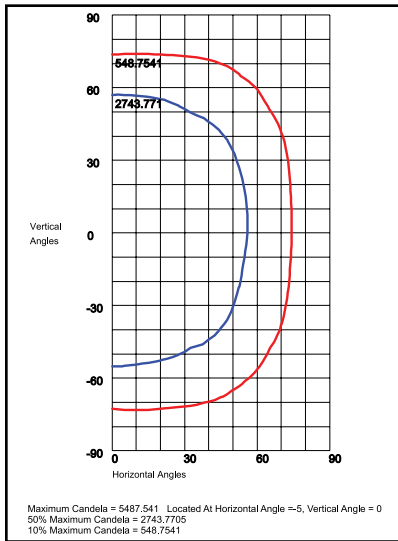


Class 1, Division 2
Groups A, B, C, D
T4 Temperature Rating



EXTREME LIFE Hazardous Location LED Explosion Proof Flood Light

Photometric Data



**AF33XHLF25QF132U5KC-
Clear Tempered Glass Lens**

Photometric Performance

LED Board Watts	Drive Current (mA)	Input Watts	Optics	5000 CCT 80 CRI		4000 CCT 80 CRI	
				Lumens	LPW	Lumens	LPW
LED 132w	465	140	F 110°H x 110°V, NEMA 7H x 7V	15,046	108	14,482	104

Projected Lumen Maintenance

Data shown for 5000 CCT			Compare to MH			
TM-21-11	Input Watts	Initial	25,000 Hrs	50,000 Hrs	100,000 Hrs	Calculated L70@ 25°C
L70 Lumen Maintenance @ 25°C / 77°F	140	1.00	0.98	0.95	0.91	329,000
TM-21-11	Input Watts	Initial	25,000 Hrs	50,000 Hrs	100,000 Hrs	Calculated L80@ 40°C
L80 Lumen Maintenance @ 50°C / 104°F	140	1.00	0.95	0.90	0.80	149,000
TM-21-11	Input Watts	Initial	25,000 Hrs	50,000 Hrs	100,000 Hrs	Calculated L80@ 40°C
L80 Lumen Maintenance @ 40°C / 104°F	140	1.00	0.96	0.93	0.86	142,000

NOTES:

1. Projected per IESNA TM-21-11. Data references the extrapolated performance projections for the 465mA base model in a 25°C ambient, based on 10,000 hours of LED testing per IESNA LM-80-08.
2. Compare to MH box indicates suggested Light Loss Factor (LLF) to be used when comparing to Metal Halide (MH) systems.

